



【Alibaba】



【Taobao】



CZYB-E03.02/2020.01

SELECTION GUIDE

GS8500-EX Range
Isolated Barrier



Headquarters

SHANGHAI CHENZHU INSTRUMENT CO.,LTD.

Add: Building 6, 201 Minyi Rd., Shanghai 201612, P.R.China

Tel: +86-21-64360668

E-mail: chenzhu@chenzhu-inst.com

Web: en.chenzhu-inst.com

ASEAN Region

CHENZHU SDN BHD (1314739-P)

Add: 7, Jalan Tasik Prima 2/1, 47150 Puchong, Selangor, Malaysia.

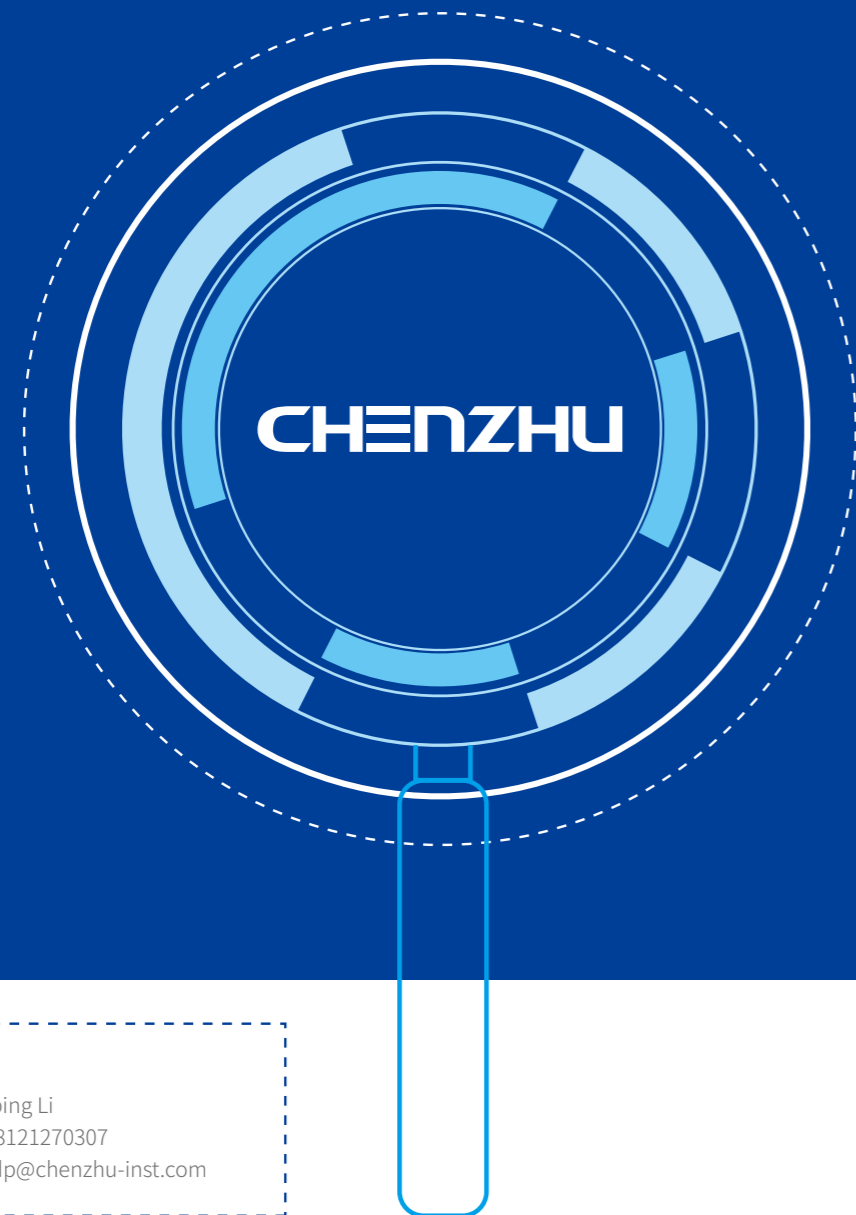
Tel: +60-3-80704739

E-mail: sales@chenzhu-asean.com

Web:www.chenzhu-asean.com

Looking for Agent !

If you are interested to be our agent in your market,
we will be your strong backup.



Contents

1	Company Profile
3	Product Certificate
7	Overview
9	Selection Guide
11	Digital Input
17	Digital Output
21	Analog Input
27	Analog Output
29	Pulse Input
32	Fire and Smoke Detector Input
33	Temperature Converters
38	Resistance Input
39	mV Input
40	Voltage Input
41	Communication Input
51	Vibration Transducer Input
53	Frequency Converters
55	Accessories
56	Bus Powered Description

Contact:

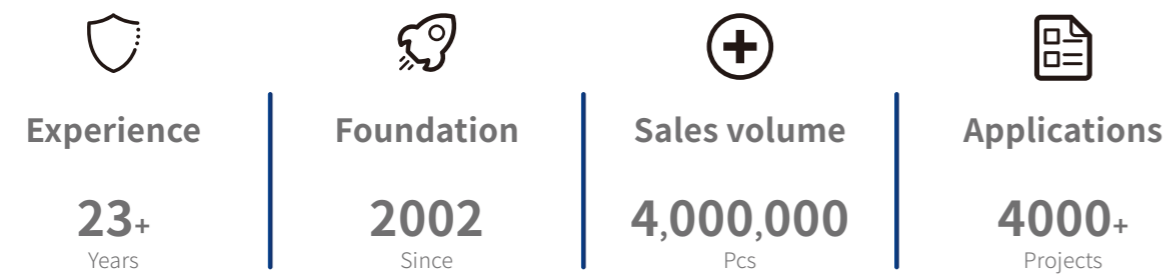
Ms. Danping Li
M: +86-18121270307
Email: lidp@chenzhu-inst.com

CHENZHU COMPANY OVERVIEW



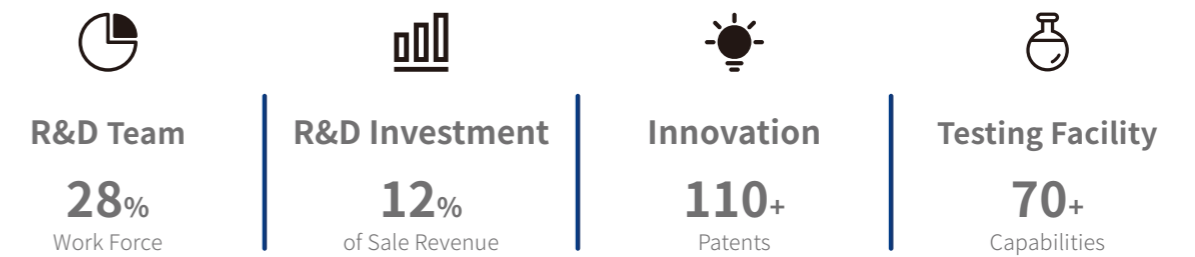
CHENZHU's headquarter is located at Shanghai, China, with an area of 5000m².

Shanghai Chenzhu Instrument Co., Ltd. was founded in April, 2002, who was originated from Shanghai Institute of Process Automation Instrumentation. CHENZHU is a professional company with core expertise of R&D, manufacturing and sale service of high quality safety products, such as isolated barriers, signal conditioners, surge protective devices, safety relays etc.



R&D Strength

Based on ISO/IEC/GB standards, CHENZHU has established the professional laboratory which is applied up to 70 test capabilities and verification items in CHENZHU's safety electrical products' development process.



Smart Factory

CHENZHU factory is continually driven by lean management and flexible production. By our strict quality examination, CHENZHU ensures the production meets the design specification and satisfies our customers.





Certificate



Product Safety
Functional Safety

www.tuv.com
ID 060000000

No.: 968/EZ 531.03/19

Product tested	Isolated Barriers for safety-related applications	Certificate holder	SHANGHAI CHENZHU INSTRUMENT CO., LTD. Floor 7-8, Building 6, No. 201, Minyi Road, Songjiang District, Shanghai, 201612, P.R. China
Type designation	GS8512-EX, GS8523-EX, GS8535-EX, GS8536-EX, GS8547-EX, GS8567-EX, GS8568-EX		
Codes and standards	IEC 61508 Parts 1-7:2010 IEC 61326-3-1:2017	IEC 61298 Parts 1-3:2008	
Intended application	<p>GS8512-EX and GS8523-EX are intended to be used in safety-related applications and have the safety function to de-energize output(s) on demand. The safe state is the de-energized state.</p> <p>GS8535-EX, GS8536-EX, GS8547-EX, GS8567-EX and GS8568-EX are intended to be used in safety-related applications and have the safety function of repeating 4-20 mA current or converting the 4-20mA into 1-5V output voltage within the accuracy of ±2%.</p> <p>In case of a failure the output current is < 3.6 mA or > 21.5 mA.</p> <p>The barriers comply with the requirements of IEC 61508: GS8512-EX, GS8523-EX, GS8547-EX: IEC 61508 SC 3, SIL 3 GS8535-EX, GS8536-EX, GS8567-EX, GS8568-EX: IEC 61508 SC 3, SIL 2</p>		
Specific requirements	The instructions of the associated Safety Manuals shall be considered.		

Valid until 2024-06-13

The issue of this certificate is based upon an examination, whose results are documented in Report No. 968/EZ 531.03/19 dated 2019-06-13.
This certificate is valid only for products which are identical with the product tested.

TÜV Rheinland Industrie Service GmbH
Bereich Automation
Funktionale Sicherheit
Am Grauen Stein, 51105 Köln
Köln, 2019-06-13




Dipl.-Ing. Gebhard Bouwer



TÜVRheinland®
Precisely Right.

www.fs-products.com
www.tuv.com

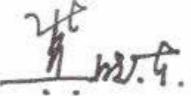


**IECEx Certificate
of Conformity**

INTERNATIONAL ELECTROTECHNICAL COMMISSION
IEC Certification Scheme for Explosive Atmospheres
for rules and details of the IECEx Scheme visit www.iecex.com

Certificate No.:	IECEx CQM 11.0003X	Issue No: 1	Certificate history: Issue No. 1 (2019-05-06) Issue No. 0 (2011-10-21)
Status:	Current	Page 1 of 4	
Date of Issue:	2019-06-06		
Applicant:	SHANGHAI CHENZHU INSTRUMENT CO., LTD. Room 702, Building 5, Songjiang Hi-tech Park, Gaohejing Development Park, No.518, Xinzhuang Road, Shanghai, 201612, China		
Equipment:	Isolated safety barrier Type GS85 **-Ex **		
Optional accessory:			
Type of Protection:	Intrinsic safety "i"		
Marking:	[Ex ia] IIC IP20 Tamb: -20°C ~ +60°C		


Approved for issue on behalf of the IECEx: Ji Xiaodong
Certification Body: General Manager

Signature: 
(for printed version)

Date: 2019-06-06

1. This certificate and schedule may only be reproduced in full.
2. This certificate is not transferable and remains the property of the issuing body.
3. The Status and authenticity of this certificate may be verified by visiting the Official IECEx Website.

Certificate issued by:
China Quality Mark Certification Group Co., Ltd.
No. 33 Zengguang Road, Haidian District,
Beijing City, Postal code: 100048
China





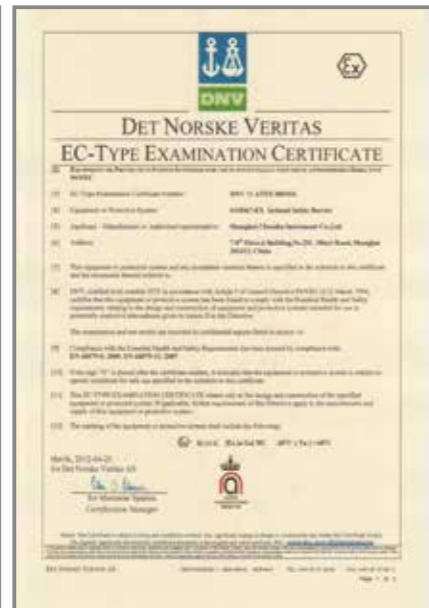
Code and standards: IEC61508-2010 Functional safety of electrical/electronic /programmable electronic safety-related systems

Certificate authority: TÜV Rheinland



Code and standards: IEC60079-0 Explosive atmospheres
- Part 0: Equipment - General requirements
IEC60079-11 Explosive atmospheres
- Part 11: Equipment protection by intrinsic safety "i"

Certificate authority: China Quality Mark Certification Group CO.,Ltd(CQM)



Code and standards: EN60079-0 Explosive atmospheres
 - Part 0: Equipment - General requirements
 EN60079-11 Explosive atmospheres
 - Part 11: Equipment protection by intrinsic safety "i"

Certificate authority: DET NORSKE VERITAS(DNV)



Code and standards: GB3836.0 Explosive atmospheres
 - Part 0: Equipment - General requirements
 GB3836.4 Explosive atmospheres
 - Part 11: Equipment protection by intrinsic safety "i"

Certificate authority: NEPSI



- High reliability and strong EMC performance
MTBF>2,000,000h

SIL
IEC61508



- 3-way isolation with max.dielectric strength $\geq 4000V$ AC



- Flexible power mode, support DIN bus power and terminal power



- Ultra-thin structure with low power dissipation design for high packing density

0.05%F.S.

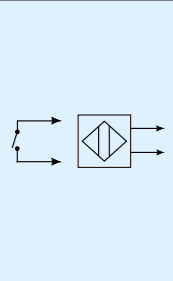
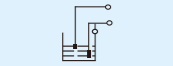
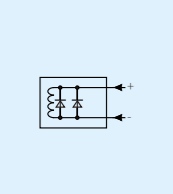
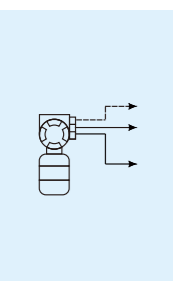
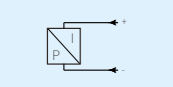
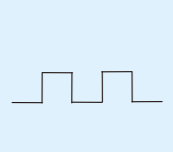

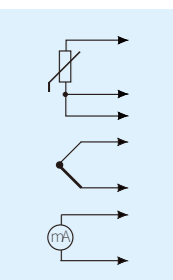
- High-precision while low drift



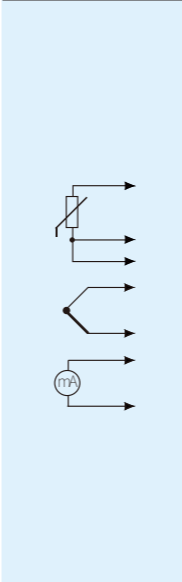
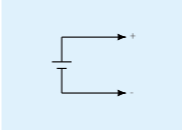
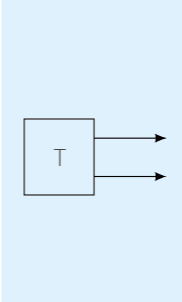
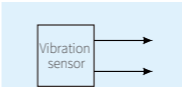
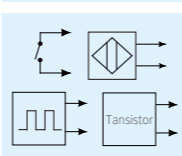
- Variety of specifications and models meet the requirement of end user



Selection Guide

Field instrument	Application	Module No.	Channels	Hazardous Side Signal	Control Side Signal	Features	Page
	Digital Input	GS8512-EX.11	1/1	Dry contact switch proximity switch input	Relay contact output	Independent powered SIL3	11
		GS8512-EX.12	1/2				
		GS8512-EX.22	2/2	Transistor output	Independent powered	12	
		GS8512-EX.33	3/3				
		GS8114-EX	4/4				
		GS8519-EX.11	1/1				
		GS8519-EX.12	1/2	Independent powered LFD output	15		
		GS8519-EX.22	2/2				
GS8519-EX.12A	1/2						
	Electrical Level Input	GS8515-EX	1/2	Electrical level sensors Electrode input	Relay contact output	Independent powered LFD	16
	Digital Output	GS8521-EX	1/1	Drive current at 35mA Output voltage ≥ 12V	Dry contact input	Loop powered	17
		GS8523-EX	1/1				
		GS8523-EX.I	1/1	Drive current at 45mA Output voltage ≥ 12V	Independent powered	18	
		GS8525-EX	1/1				
	Analog Input	GS8531-EX	1/1	2-wire transmitter input HART	4~20mA output HART	Loop powered	21
		GS8532-EX	2/2				
		GS8535-EX	1/2	2-wire or 3-wire transmitter Current source input	0/4~20mA	Independent powered	22
		GS8536-EX	2/2				
		GS8547-EX	1/1	HART	0/1~5V output HART	Independent powered	23
		GS8549-EX	1/1				
		GS8347-EX	1/3	Independent powered	4~20mA	Configurable	24
		GS8547-EX	1/1				
	Analog Output	GS8567-EX	1/1	0/4~20mA output	0/4~20mA output	Independent powered	27
		GS8568-EX	2/2	HART	HART	SIL2	28
	Pulse Input	GS8552-EX.11	1/1	Voltage pulse, transistor Distribution voltage: 12V	5V/12V Voltage pulse, transistor	Independent powered	29
		GS8552-EX.22	2/2				
		GS8554-EX.11	1/1	Voltage pulse, transistor Distribution voltage: 24V	12V/24V Voltage pulse, transistor	Independent powered	30
		GS8554-EX.22	2/2				
GS8556-EX	3/3	Encoder input	12V Voltage pulse	Independent powered	31		
	Fire and Smoke Detector Input	GS8565-EX	1/1	Fire, smoke detector input	0~40mA output	Loop powered	32
		GS8566-EX	2/2				
	Temperature Converters	GS8572-EX	1/1	2-wire or 3-wire RTD TC input	0~20mA, 4~20mA output	Independent powered Configurable	33
		GS8572-EX.RTD	1/1				
		GS8572-EX.R	1/1	2-wire or 3-wire RTD input Potentiometer input	Independent powered	34	
		GS8572-EX.TC	1/1				
		GS8572-EX.SIL.RTD	1/1	2-wire or 3-wire RTD input TC input	4~20mA output	Independent powered Configurable	35
		GS8572-EX.SIL.TC	1/1				
GS8572-EX.SIL.TC	1/1	TC input	1~5V output	SIL2			

Selection Guide

Field instrument	Application	Module No.	Channels	Hazardous Side Signal	Control Side Signal	Features	Page
	Temperature Converters	GS8576-EX	1/2	2-wire or 3-wire RTD TC input	0~20mA, 4~20mA output	Independent powered Configurable	36
		GS8576-EX.RTD	1/2				
		GS8576-EX.TC	1/2	2-wire or 3-wire RTD input TC input	Independent powered	37	
		GS8576-EX.R	1/2				
		GS8579-EX	2/2	2-wire or 3-wire RTD TC input	Independent powered	38	
		GS8579-EX.RTD	2/2				
		GS8579-EX.TC	2/2	2-wire or 3-wire RTD input TC input	Independent powered	39	
		GS8579-EX.R	2/2				
		GS8577-EX	1/1	2-wire or 3-wire RTD TC input	4~20mA output	Loop powered Configurable	37
		GS8577-EX.RTD	1/1				
		GS8577-EX.TC	1/1	2-wire or 3-wire RTD TC input	Independent powered	38	
		GS8578-EX	2/2				
		GS8578-EX.RTD	2/2	2-wire or 3-wire RTD input TC input	60Ω~4000Ω	1:1 input and output	38
		GS8578-EX.TC	2/2				
GS8074-EX	1/1	60Ω~4000Ω	-5mV~+60mV	Independent powered	39		
GS8081-EX	1/1						
	Voltage Input	GS8589-EX.11	1/1	0~5V, 1~5V, 0~10V Distribution power: 10V/20mA, 15V/20mA, none	0~5V, 1~5V, 0~10V 0~20mA, 4~20mA	Independent powered	40
		GS8589-EX.22	2/2				
	Communication Input	GS8592-EX.3	1/1	RS-232	RS-232	Independent powered	41
		GS8595-EX.3	1/1				
		GS8599-EX.3	1/1	RS-485 half duplex	RS-485 half duplex	Independent powered	42
		GS8591-EX.3	1/1				
		GS8593-EX.3	1/1	RS-485 half duplex	RS-485 half duplex	Independent powered	43
		GS8596-EX.3	1/1				
		GS8594-EX.3	1/1	RS-485 full duplex	RS-232	Independent powered	44
		GS8597-EX.3	1/1				
		GS8598-EX.3	1/1	RS-485 full duplex	RS-485 full duplex	Independent powered	45
		GS8593B-EX	1/1				
		GS8593B-EX	1/1	RS-485 half duplex Distribution power: 9V/140mA	RS-485 half duplex	Independent powered	46
GS8593B-EX	1/1						
	Vibration Transducer Input	GS8557-EX	1/1	-20V~-0.5V -10V~+10V	-20V~-0.5V -10V~+10V	Independent powered	51
		GS8558-EX	1/1				
	Frequency Converter	GS8555-EX	1/1	Dry contact/proximity switch Voltage pulse Transistor input	0~20mA, 4~20mA output	Independent powered Configurable	53
		GS8355-EX	1/3				
GS8555-EX	1/1	0~5V, 1~5V SPST relay	Independent powered Configurable	54			
GS8355-EX	1/3						

1/1: GS8512-EX.11
 1/2: GS8512-EX.12
 2/2: GS8512-EX.22

Digital input, relay output isolated barrier, transfers digital signals(dry contact or NAMUR proximity switch) from hazardous area to safe area. Each channel can be provided to select phase reversal and to enable the line fault detection. The product needs an independent power supply and galvanic isolation among power supply, input and output.

Specification

Supply Voltage: 20~35V DC

Current Consumption: (Supply voltage: 24V; Output energized)
 ≤30mA(GS8512-EX.11)
 ≤40mA(GS8512-EX.12 / GS8512-EX.22)

Safe-area Relay Output:

Response Time: ≤10ms
 Contact loading: 250V AC,2A or 30V DC,2A
 Load Type: resistive load

Hazardous-area Input:

Signal: Dry contact or NAMUR proximity switch
 Open-circuit Voltage: ≈8V
 Short-circuit Current: ≈8mA

Input and Output Characteristics(Normal phase)

If field switch closes or input loop current > 2.1mA, output relay will be energized, with yellow LED ON.

If field switch closes or input loop current < 1.2mA, output relay will be de-energized, with yellow LED OFF.

Function of the DIP Switch:

Sta.	K1(OUT1), K3(OUT2)	K2(OUT1), K4(OUT2)
ON	Inverted phase	LFD enabled
OFF	Normal phase	LFD disenabled

Note: Switch input (I) needs the K2 and K4 to be set to OFF state, without line fault (breakage, short-circuit) detection. When using line fault (breakage, short-circuit) detection function, resistances must be fitted: 22kΩ in parallel with switch, 680Ω in series with switch. See Switch (II), K2 and K4 are set to ON state.

Power Supply Protection: Power supply reverse protection

EMC: According to IEC 61326-1(GB/T 18268), IEC 61326-3-1

Ambient Temperature: -20°C~+60°C

Dielectric Strength:

Between non-intrinsically safe part and intrinsically safe part ≥ 2500V AC

Between power supply part and output part ≥ 500V AC

Insulation Resistance:

Between non-intrinsically safe part and intrinsically safe part ≥ 100MΩ

Between power supply part and output part ≥ 100MΩ

Structure: GS8500 range structure customized by Phoenix Contact.

Weight: Approx. 100g

Suitable Location: Mounting in safe area, and connected to the IS apparatus in zone 0/1/2, II C, II B, II A, T4~T6 hazardous area.

Suitable Field Apparatus: Dry contact or DIN19234 standard NAMUR proximity switch input field devices (including the intrinsically safe type pressure switch, temperature switches, liquid level switches, etc.)

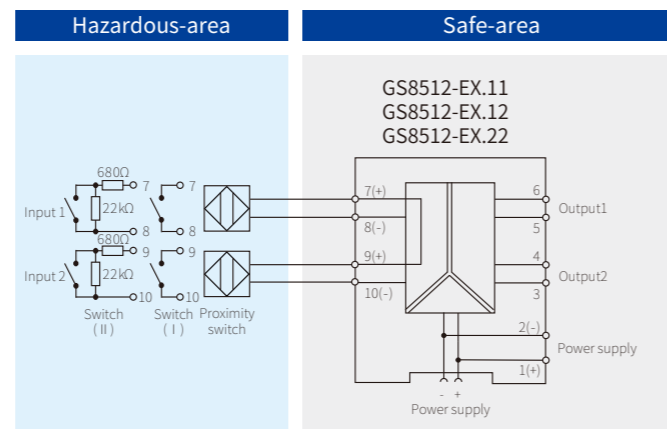
SIL3
IEC61508



Dimensions: 118.9mm × 106.0mm × 12.5mm



Connection



Note: a) GS8512-EX.11 only contains input1, output1;
 b) GS8512-EX.12 only contains input1, output1, output2;
 c) Bus-powered function is optional, if necessary please specified when ordering, and purchase bus power supply accessories in additional.

Explosion-proof Certificate

Certifying Authority: NEPSI(China)

Ex Marking: [Ex ia Ga] II C

Maximum Voltage: Um=250V

Intrinsic Safety Parameters(7、8、9、10 terminals):

U₀=10.5V, I₀=14mA, P₀=37mW
 II C: C₀=2.4μF, L₀=165mH
 II B: C₀=16.8μF, L₀=495mH
 II A: C₀=75.0μF, L₀=1000mH

3/3: GS8512-EX.33

Digital input, relay output isolated barrier, transfers digital signals(dry contact or NAMUR proximity switch) from hazardous area to safe area. Each channel can be provided to select phase reversal. The product needs an independent power supply and galvanic isolation among power supply, input and output.

Specification

Supply Voltage: 20~35V DC

Current Consumption: ≤65mA(Supply voltage: 24V; Output energized)

Safe-area Relay Output:

Response Time: ≤10ms
 Contact loading: 250V AC,2A or 30V DC,2A
 Load Type: resistive load

Hazardous-area Input:

Signal: Dry contact or NAMUR proximity switch
 Open-circuit Voltage: ≈8V
 Short-circuit Current: ≈8mA

Input and Output Characteristics(Normal phase)

If field switch closes or input loop current > 2.1mA, output relay will be energized, with yellow LED ON.

If field switch closes or input loop current < 1.2mA, output relay will be de-energized, with yellow LED OFF.

Function of the DIP Switch:

Sta.	K1(OUT1), K2(OUT2), K3(OUT3)
ON	Inverted phase
OFF	Normal phase

Power Supply Protection: Power supply reverse protection

EMC: According to IEC 61326-1(GB/T 18268)

Ambient Temperature: -20°C~+60°C

Dielectric Strength:

Between non-intrinsically safe part and intrinsically safe part ≥ 2500V AC

Between power supply part and output part ≥ 500V AC

Insulation Resistance:

Between non-intrinsically safe part and intrinsically safe part ≥ 100MΩ

Between power supply part and output part ≥ 100MΩ

Structure: GS8500 range structure customized by Phoenix Contact.

Weight: Approx. 100g

Suitable Location: Mounting in safe area, and connected to the IS apparatus in zone 0/1/2, II C, II B, II A, T4~T6 hazardous area.

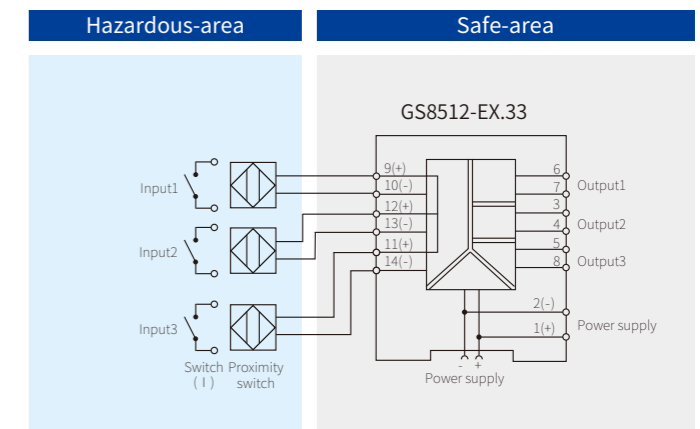
Suitable Field Apparatus: Dry contact or DIN19234 standard NAMUR proximity switch input field devices (including the intrinsically safe type pressure switch, temperature switches, liquid level switches, etc.)



Dimensions: 118.9mm × 106.0mm × 17.5mm



Connection



Note: Bus-powered function is optional, if necessary please specified when ordering, and purchase bus power supply accessories in additional.

Explosion-proof Certificate

Certifying Authority: NEPSI(China)

Ex Marking: [Ex ia Ga] II C

Maximum Voltage: Um=250V

Intrinsic Safety Parameters(9、10; 12、13; 11、14 terminals):

U₀=10.5V, I₀=14mA, P₀=37mW
 II C: C₀=2.4μF, L₀=165mH
 II B: C₀=16.8μF, L₀=495mH
 II A: C₀=75.0μF, L₀=1000mH

4/4: GS8114-EX

Digital input, relay output isolated barrier, transfers digital signals(dry contact or NAMUR proximity switch) from hazardous area to safe area. Each channel can be provided to select phase reversal.The product needs an independent power supply and galvanic isolation among power supply, input and output.

Specification

Supply Voltage: 20~35V DC

Current Consumption: $\leq 75\text{mA}$ (Supply voltage: 24V; Output energized)

Safe-area Relay Output:

Response Time: $\leq 20\text{ms}$

Contact loading: 250V AC,2A or 30V DC,2A

Load Type: resistive load

Hazardous-area Input:

Signal: Dry contact or NAMUR proximity switch

Open-circuit Voltage: $\approx 8\text{V}$

Short-circuit Current: $\approx 8\text{mA}$

Input and Output Characteristics(Normal phase)

If field switch closes or input loop current $> 2.1\text{mA}$, output relay will be energized, with yellow LED ON.

If field switch closes or input loop current $< 1.2\text{mA}$, output relay will be de-energized, with yellow LED OFF.

Function of the DIP Switch:

Sta.	K1(OUT1)	K2(OUT2)	K3(OUT3)	K4(OUT4)
ON	Corresponding channel inverted phase			
OFF	Corresponding channel normal phase			

Power Supply Protection: Power supply reverse protection

EMC: According to IEC 61326-1(GB/T 18268)

Ambient Temperature: $-20^{\circ}\text{C}\sim+60^{\circ}\text{C}$

Dielectric Strength:

Between non-intrinsically safe part and intrinsically safe part $\geq 2500\text{V AC}$

Between power supply part and output part $\geq 500\text{V AC}$

Insulation Resistance:

Between non-intrinsically safe part and intrinsically safe part $\geq 100\text{M}\Omega$

Between power supply part and output part $\geq 100\text{M}\Omega$

Weight: Approx. 150g

Suitable Location: Mounting in safe area, and connected to the IS apparatus in zone 0/1/2, II C, II B, II A, T4~T6 hazardous area.

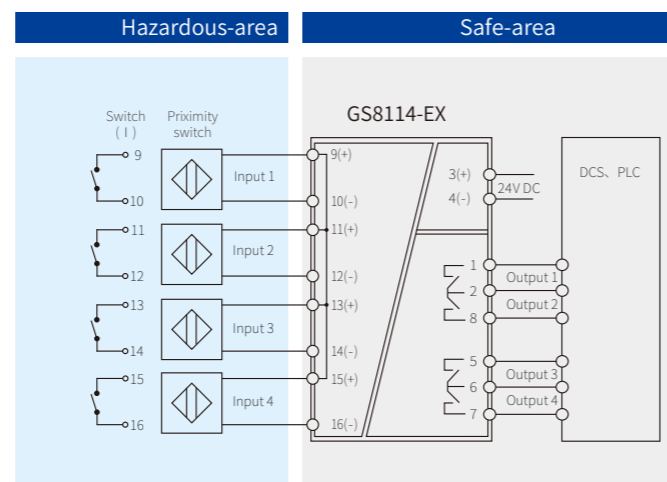
Suitable Field Apparatus: Dry contact or DIN19234 standard NAMUR proximity switch input field devices (including the intrinsically safe type pressure switch, temperature switches, liquid level switches, etc.)



Dimensions: 114.5mm×99.0mm×22.5mm



Connection



Explosion-proof Certificate

Certifying Authority: NEPSI(China)

Ex Marking: [Ex ia Ga] II C
[Ex iaD]

Maximum Voltage: $U_m=250\text{V}$

Intrinsic Safety Parameters(9、10; 11、12; 13、14; 15、16 terminals):

$U_o=10.5\text{V}$, $I_o=14\text{mA}$, $P_o=37\text{mW}$

II C: $C_o=2.4\mu\text{F}$, $L_o=165\text{mH}$

*II B: $C_o=16.8\mu\text{F}$, $L_o=495\text{mH}$

II A: $C_o=75.0\mu\text{F}$, $L_o=1000\text{mH}$

*II B Intrinsic Safety Parameters are also suitable for dust explosion protection[Ex iaD]

1/1: GS8519-EX.11 1/2: GS8519-EX.12 2/2: GS8519-EX.22

Digital input, transistor output isolated barriers, transfer digital signals(dry contact or NAMUR proximity switch) from hazardous area to safe area. Each channel can be provided to select phase reversal and to enable the line fault detection. The product needs an independent power supply and galvanic isolation among power supply, input and output.

Specification

Supply Voltage: 20~35V DC

Current Consumption: (Supply voltage: 24V, transistor energized)
 $\leq 40\text{mA}$ (GS8519-EX.11)
 $\leq 60\text{mA}$ (GS8519-EX.12 / GS8519-EX.22)

Safe-area Output:

Digital Output: $4.5\text{V}\leq V_H\leq 12\text{V}$, $V_L\leq 0.5\text{V}$

Drive current $\leq 10\text{mA}$, Load resistance $\geq 1\text{k}\Omega$

Transistor Collector Output:

$V_H=V_{cc}$; $V_L\leq 2.5\text{V}$ (On-state current=10mA, $V_{cc}=24\text{V}$)

Max.Rated Current $\leq 40\text{mA}$, Load resistance: $2\text{k}\Omega\leq R_L\leq 20\text{k}\Omega$

Transistor Emitter Output:

$V_H\geq V_{cc}-2.5\text{V}$; $V_L\leq 0.5\text{V}$ (On-state current=10mA, $V_{cc}=24\text{V}$)

Max.Rated Current $\leq 40\text{mA}$, Load resistance: $2\text{k}\Omega\leq R_L\leq 10\text{k}\Omega$

Note: "Vcc" refers to the supply voltage at the output, $V_{cc}\leq 40\text{V}$

Hazardous-area Input:

Signal: Dry contact or NAMUR proximity switch input, frequency $\leq 5\text{kHz}$

Open-circuit Voltage: $\approx 8\text{V}$

Short-circuit Current: $\approx 8\text{mA}$

Input and Output Characteristics(Normal phase):

If field switch closes or input loop current $> 2.1\text{mA}$, output transistor will be energized, with yellow LED ON.

If field switch closes or input loop current $< 1.2\text{mA}$, output transistor will be de-energized, with yellow LED OFF.

Sta.	K1(OUT1), K3(OUT2)	K2(OUT1), K4(OUT2)
ON	Inverted phase	LFD enabled
OFF	Normal phase	LFD disabled

Note: Switch input (I) needs the K2 and K4 to be set to OFF state, without line fault (breakage, short-circuit) detection. When using line fault (breakage, short-circuit) detection function, resistances must be fitted: $22\text{k}\Omega$ in parallel with switch, 680Ω in series with switch. See Switch (II), K2 and K4 are set to ON state.

Power Supply Protection: Power supply reverse protection

EMC: According to IEC 61326-1(GB/T 18268)

Ambient Temperature: $-20^{\circ}\text{C}\sim+60^{\circ}\text{C}$

Dielectric Strength:

Between non-intrinsically safe part and intrinsically safe part $\geq 2500\text{V AC}$
Between power supply part and output part $\geq 500\text{V AC}$

Insulation Resistance:

Between non-intrinsically safe part and intrinsically safe part $\geq 100\text{M}\Omega$

Between power supply part and output part $\geq 100\text{M}\Omega$

Structure: GS8500 range structure customized by Phoenix Contact.

Weight: Approx. 150g

Suitable Location: Mounting in safe area, and connected to the IS apparatus in zone 0/1/2, II C, II B, II A, T4~T6 hazardous area.

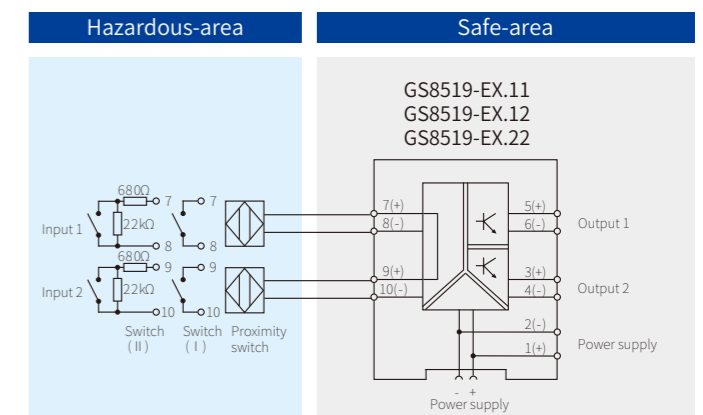
Suitable Field Apparatus: Dry contact or DIN19234 standard NAMUR proximity switch input field devices (including the intrinsically safe type pressure switch, temperature switches, liquid level switches, etc.)



Dimensions: 118.9mm×106.0mm×12.5mm

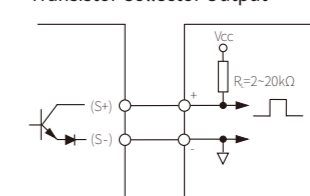


Connection

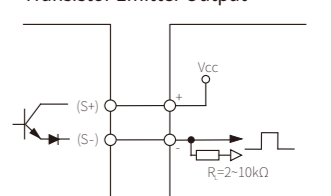


Note: a) GS8519-EX.11 only contains input2 and output2;
b) GS8519-EX.12 only contains input1, output1, output2;
c) Bus-powered function is optional, if necessary please specified when ordering, and purchase bus power supply accessories in additional.

Application 1:
Transistor Collector Output



Application 2:
Transistor Emitter Output



Explosion-proof Certificate

Certifying Authority: NEPSI(China)

Ex Marking: [Ex ia Ga] II C
[Ex iaD]

Maximum Voltage: $U_m=250\text{V}$

Intrinsic Safety Parameters(7、8; 9、10 terminals):

$U_o=10.5\text{V}$, $I_o=14\text{mA}$, $P_o=37\text{mW}$

II C: $C_o=2.4\mu\text{F}$, $L_o=165\text{mH}$

*II B: $C_o=16.8\mu\text{F}$, $L_o=495\text{mH}$

II A: $C_o=75.0\mu\text{F}$, $L_o=1000\text{mH}$

*II B Intrinsic Safety Parameters are also suitable for dust explosion protection[Ex iaD]

1/2: GS8519-EX.12A With LFD function

Digital input, transistor output isolated barriers, transfer digital signals (dry contact or NAMUR proximity switch) from hazardous area to safe area. Switches can be provided to select phase reversal and to enable the line fault detection. Line faults are signalled through separated relay. The product needs an independent power supply and galvanic isolation among power supply, input and output.

Specification

Supply Voltage: 20~35V DC
Current Consumption: $\leq 40\text{mA}$ (Supply voltage: 24V, transistor energized)
Safe-area Output:

Digital Output: $4.5\text{V} \leq V_H \leq 12\text{V}$, $V_L \leq 0.5\text{V}$
Drive current $\leq 10\text{mA}$, Load resistance $\geq 1\text{k}\Omega$

Transistor Collector Output:

$V_H = V_{CC}$; $V_L \leq 2.5\text{V}$ (On-state current = 10mA , $V_{CC} = 24\text{V}$)
Max. Rated Current $\leq 40\text{mA}$, Load resistance: $2\text{k}\Omega \leq R_L \leq 20\text{k}\Omega$

Transistor Emitter Output:

$V_H \geq V_{CC} - 2.5\text{V}$; $V_L \leq 0.5\text{V}$ (On-state current = 10mA , $V_{CC} = 24\text{V}$)
Max. Rated Current $\leq 40\text{mA}$, Load resistance: $2\text{k}\Omega \leq R_L \leq 10\text{k}\Omega$

Note: "Vcc" refers to the supply voltage at the output, $V_{CC} \leq 40\text{V}$

LFD Alarm:

If input loop current $\leq 50\mu\text{A}$ (line break) or $\geq 6.5\text{mA}$ (line short-circuit), LFD output transistor will be energized, with red LED ON.

Hazardous-area Input:

Signal: Dry contact or NAMUR proximity switch input, frequency $\leq 5\text{kHz}$
Open-circuit Voltage: $\approx 8\text{V}$; Short-circuit Current: $\approx 8\text{mA}$

Input and Output Characteristics(Normal phase):

If field switch closes or input loop current $> 2.1\text{mA}$, signal output transistor will be energized, with yellow LED ON

If field switch closes or input loop current $< 1.2\text{mA}$, signal output transistor will be de-energized, with yellow LED OFF.

Sta.	K1	K2
ON	Inverted phase	LFD enabled
OFF	Normal phase	LFD disenabled

Note: Switch input (I) needs the K2 to be set to OFF state, without line fault (breakage, short-circuit) detection; When using line fault (breakage, short-circuit) detection function, resistances must be fitted: $22\text{k}\Omega$ in parallel with switch, 680Ω in series with switch. See Switch (II), K2 are set to ON state.

Power Supply Protection:

Power supply reverse protection

EMC: According to IEC 61326-1(GB/T 18268)

Ambient Temperature: $-20^\circ\text{C} \sim +60^\circ\text{C}$

Dielectric Strength:

Between non-intrinsically safe part and intrinsically safe part $\geq 2500\text{V AC}$

Between power supply part and output part $\geq 500\text{V AC}$

Insulation Resistance:

Between non-intrinsically safe part and intrinsically safe part $\geq 100\text{M}\Omega$

Between power supply part and output part $\geq 100\text{M}\Omega$

Structure: GS8500 range structure customized by Phoenix Contact.

Weight: Approx. 100g

Suitable Location: Mounting in safe area, and connected to the IS apparatus in zone 0/1/2, II C, II B, II A, T4~T6 hazardous area.

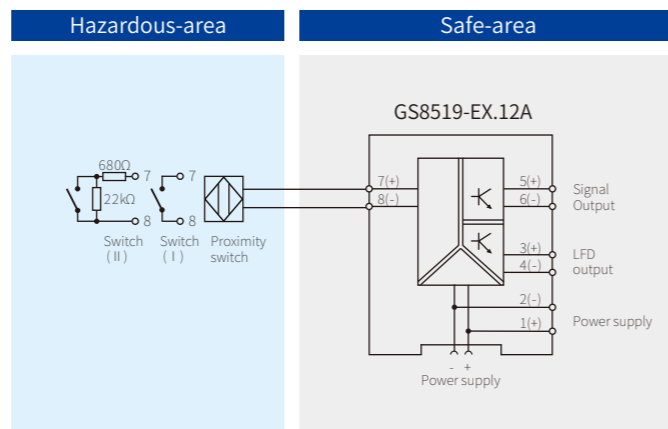
Suitable Field Apparatus: Dry contact or DIN19234 standard NAMUR proximity switch input field devices (including the intrinsically safe type pressure switch, temperature switches, liquid level switches, etc.)



Dimensions: 118.9mm × 106.0mm × 12.5mm

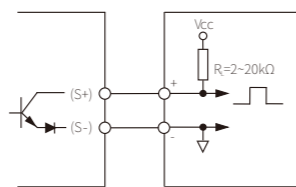


Connection

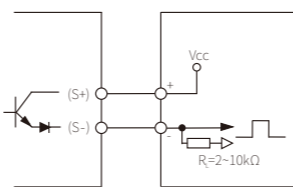


Note: Bus-powered function is optional, if necessary please specified when ordering, and purchase bus power supply accessories in additional.

Application 1: Transistor Collector Output



Application 2: Transistor Emitter Output



Explosion-proof Certificate

Certifying Authority: NEPSI(China)

Ex Marking: [Ex ia Ga] II C

[Ex iaD]

Maximum Voltage: $U_m = 250\text{V}$

Intrinsic Safety Parameters(7、8 terminals):

$U_o = 10.5\text{V}$, $I_o = 14\text{mA}$, $P_o = 37\text{mW}$

II C: $C_o = 2.4\mu\text{F}$, $L_o = 165\text{mH}$

*II B: $C_o = 16.8\mu\text{F}$, $L_o = 495\text{mH}$

II A: $C_o = 75.0\mu\text{F}$, $L_o = 1000\text{mH}$

*II B Intrinsic Safety Parameters are also suitable for dust explosion protection[Ex iaD]

1/2: GS8515-EX

Isolated barriers provide an AC detection voltage to the electrode sensor. When the conductive medium contacts the electrode, an AC will be generated in the input measurement loop. The change of the AC signal detected will be transmitted to the Safe area via the isolated barrier and will output via relay contacts. This product has the Line Fault (breakage) Detection function. If we select the LFD, output2 will output alarm signal. If we do not select LFD, output2 and output1 will output same signal.

Specification

Supply Voltage: 20~35V DC
Current Consumption: $\leq 50\text{mA}$ (Supply voltage: 24V, relay energized)
Safe-area Relay Output:

Contact loading: 250V AC, 2A or 24V DC, 2A

Load Type: resistive load

Delay Time: 0.5s or 10s(Adjustable via the switch K3)

Hazardous-area Input:

Control Input: ON/OFF control(9, 10)

Upper limit/lower limit control(9, 10, 11)

Sensitivity: $1\text{k}\Omega \sim 150\text{k}\Omega$ (Adjustable via the potentiometer)

Input and Output Characteristics:

If liquid level exceeds limit:

When the DIP switch is set to NO state, the output relay will be energized, with yellow LED on.

When the DIP switch is set to NC state, the output relay will be de-energized, with yellow LED OFF.

When LFD enabled, output relay 1 will be de-energized, with yellow LED OFF and red LED flashing; output relay 2 will be energized, with yellow LED ON.

Function of the DIP Switch:

Switch	Sta.	Function
K1	OFF	Relay contact(6,8 and 3,5): Normal open Normal close
	ON	
K2	OFF	LFD Disenabled LFD Enabled
	ON	
K3	OFF	Delay 0.5s Delay 10s
	ON	

Note: $430\text{k}\Omega$ resistance should be paralleled between electrodes when using LFD.

Relay contact terminals 6,8 and 3,5 are NO(normal open)terminals

Relay contact terminals 6,7 and 3,4 are NC(normal close)terminals

Response Time: $\leq 20\text{ms}$

Power Supply Protection: Power supply reverse protection

EMC: According to IEC 61326-1(GB/T 18268)

Ambient Temperature: $-20^\circ\text{C} \sim +60^\circ\text{C}$

Dielectric Strength:

Between non-intrinsically safe part and intrinsically safe part $\geq 2500\text{V AC}$

Between power supply part and output part $\geq 500\text{V AC}$

Insulation Resistance:

Between non-intrinsically safe part and intrinsically safe part $\geq 100\text{M}\Omega$

Between power supply part and output part $\geq 100\text{M}\Omega$

Structure: GS8500 range structure customized by Phoenix Contact.

Weight: Approx. 150g

Suitable Location: Mounting in safe area, and connected to the IS apparatus in zone 0/1/2, II C, II B, II A, T4~T6 hazardous area.

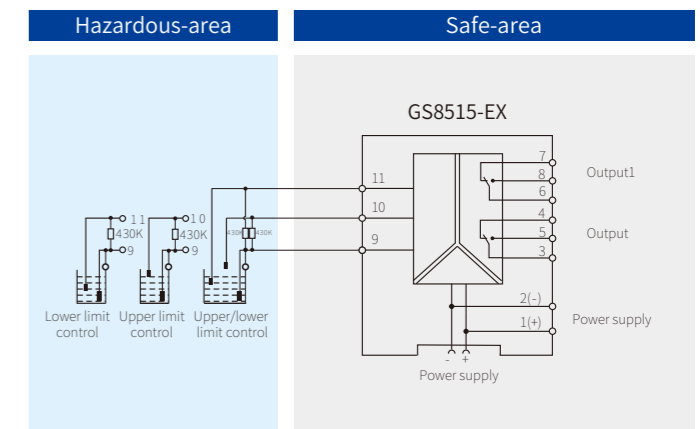
Suitable Field Apparatus: Electrical level detect instrument



Note: Dimensions: 118.9mm × 106.0mm × 17.5mm



Connection



Note: Bus-powered function is optional, if necessary please specified when ordering, and purchase bus power supply accessories in additional.

Explosion-proof Certificate

Certifying Authority: NEPSI(China)

Ex Marking: [Ex ia Ga] II C

Maximum Voltage: $U_m = 250\text{V}$

Intrinsic Safety Parameters(9、10、11 terminals):

$U_o = 6.6\text{V}$, $I_o = 2.5\text{mA}$, $P_o = 4.2\text{mW}$

II C: $C_o = 22\mu\text{F}$, $L_o = 100\text{mH}$

II B: $C_o = 500\mu\text{F}$, $L_o = 300\text{mH}$

II A: $C_o = 1000\mu\text{F}$, $L_o = 800\text{mH}$

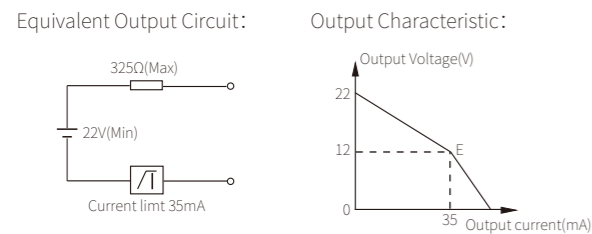
Digital Output(Loop Powered)

1/1: GS8521-EX

Digital output isolated barriers, control the 12V/35mA power supply to hazardous area. This product is suitable for driving IS devices such as solenoid valves, LED and some other low-power loads located in the hazardous area. The input and output are each galvanically isolated, and allow the control switch to directly connect to the either side of 24V DC power supply loop circuit.

Specification

Loop Supply Voltage (Ue): 20~35V DC
Current Consumption: ≤65mA(Supply voltage: 24V,output: 35mA)
Hazardous-area Output:
 Open-circuit Voltage: 22V~24V
 Output Voltage at 35mA: ≥12V



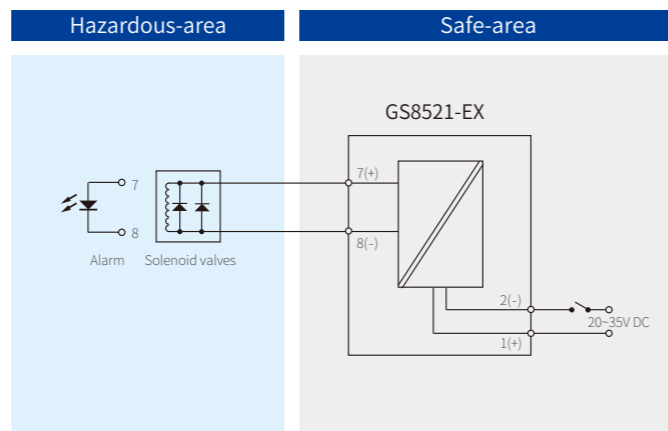
Response Time: ≤20ms
Power Supply Protection: Power supply reverse protection
EMC: According to IEC 61326-1(GB/T 18268)
Ambient Temperature: -20°C~+60°C
Dielectric Strength:
 Between non-intrinsically safe part and intrinsically safe part ≥2500V AC
Insulation Resistance:
 Between non-intrinsically safe part and intrinsically safe part ≥100MΩ
Structure: GS8500 range structure customized by Phoenix Contact.
Weight: Approx. 100g
Suitable Location: Mounting in safe area, and connected to the IS apparatus in zone 0/1/2, II C, II B, II A, T4~T6 hazardous area.
Suitable Field Apparatus: solenoid valves, LED.



Dimensions: 118.9mm×106.0mm×12.5mm



Connection



Explosion-proof Certificate

Certifying Authority: NEPSI(China)
Ex Marking: [Ex ia Ga] II C
Maximum Voltage: Um=250V
Intrinsic Safety Parameters(7、8 terminals):
 U_o=28V, I_o=93mA, P_o=651mW
 II C: C_o=0.083μF, L_o=4.2mH
 II B: C_o=0.65μF, L_o=12.6mH
 II A: C_o=2.15μF, L_o=33.6mH

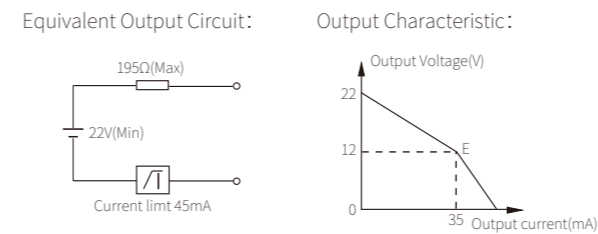
Digital Output(Loop Powered)

1/1: GS8523-EX

Digital output isolated barriers, control the 12V/45mA power supply to hazardous area. This product is suitable for driving IS devices such as solenoid valves, LED and some other low-power loads located in the hazardous area. The input and output are each galvanically isolated, and this product is loop powered.

Specification

Loop Supply Voltage(Ue): 20~35V DC
Current Consumption: ≤75mA(Supply voltage: 24V; output: 45mA)
Hazardous-area Output:
 Open-circuit Voltage: 22V~24V
 Output voltage at 45mA: ≥12V



Response Time: ≤20ms
Power Supply Protection: Power supply reverse protection
EMC: According to IEC 61326-1(GB/T 18268), IEC 61326-3-1
Ambient Temperature: -20°C~+60°C
Dielectric Strength:
 Between non-intrinsically safe part and intrinsically safe part ≥2500V AC
Insulation Resistance:
 Between non-intrinsically safe part and intrinsically safe part ≥100MΩ
Structure: GS8500 range structure customized by Phoenix Contact.
Weight: Approx. 100g
Suitable Location: Mounting in safe area, and connected to the IS apparatus in zone 0/1/2, II C, II B, II A, T4~T6 hazardous area.
Suitable Field Apparatus: solenoid valves, LED.

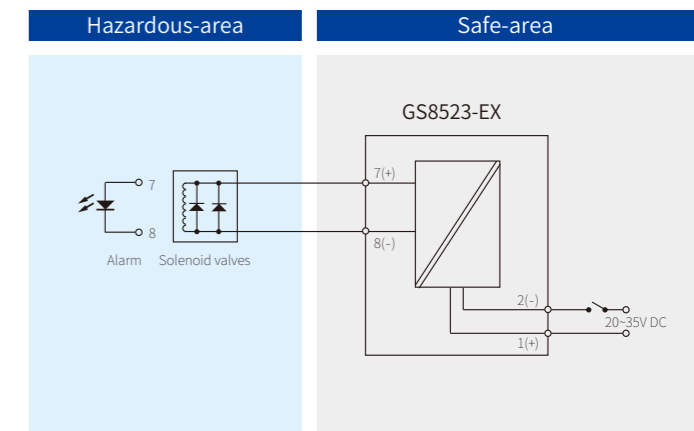
SIL3
IEC61508



Dimensions: 118.9mm×106.0mm×12.5mm



Connection



Explosion-proof Certificate

Certifying Authority: NEPSI(China)
Ex Marking: [Ex ia Ga] II C
Maximum Voltage: Um=250V
Intrinsic Safety Parameters(7、8 terminals):
 U_o=25V, I_o=140mA, P_o=875mW
 II C: C_o=0.11μF, L_o=1.5mH
 II B: C_o=0.84μF, L_o=4.5mH
 II A: C_o=2.97μF, L_o=12.0mH

Digital Output

1/1: GS8523-EX.I

Digital output isolated barrier, with 12V/45mA output to hazardous area, is controlled by switches and logic signal in the safe area. This product is suitable for driving IS devices such as solenoid valves, LED and some other low-power loads located in the hazardous area. This product needs independent power supply and galvanic isolation among power supply, input and output.

Specification

Supply Voltage: 20~35V DC

Current Consumption: ≤80mA(Supply voltage: 24V; output: 45mA)

Safe-area Input:

If input switch or transistor is close, power the devices located in hazardous area.

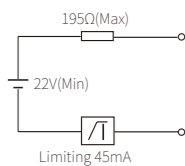
If input switch or transistor is open, stop powering the devices located in hazardous area.

Hazardous-area Output:

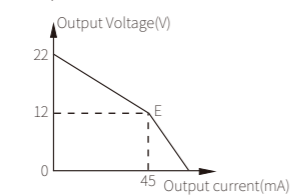
Open-circuit Voltage: 22V~24V

Output voltage at 45mA: ≥12V

Equivalent Output Circuit:



Output Characteristic:



Response Time: ≤20ms

Power Supply Protection: Power supply reverse protection

EMC: According to IEC 61326-1(GB/T 18268)

Ambient Temperature: -20°C~+60°C

Dielectric Strength:

Between non-intrinsically safe part and intrinsically safe part ≥2500V AC

Between power supply part and input part ≥500V AC

Insulation Resistance:

Between non-intrinsically safe part and intrinsically safe part ≥100MΩ

Between power supply part and input part ≥100MΩ

Structure: GS8500 range structure customized by Phoenix Contact.

Weight: Approx. 100g

Suitable Location: Mounting in safe area, and connected to the IS

apparatus in zone 0/1/2, II C, II B, II A, T4~T6 hazardous area.

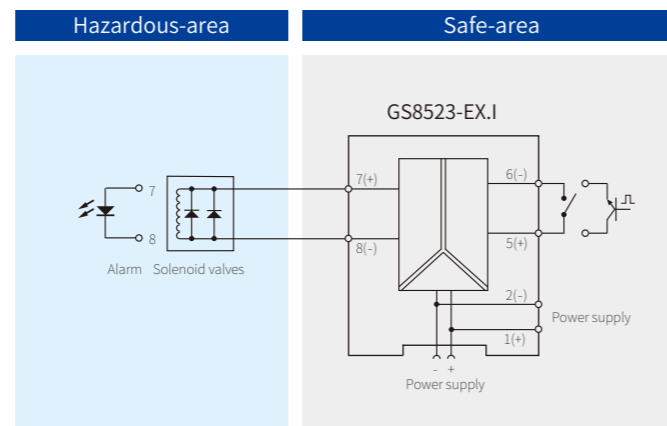
Suitable Field Apparatus: solenoid valves, LED.



Dimensions: 118.9mm×106.0mm×12.5mm



Connection



Note: Bus-powered function is optional, if necessary please specified when ordering, and purchase bus power supply accessories in additional.

Explosion-proof Certificate

Certifying Authority: NEPSI(China)

Ex Marking: [Ex ia Ga] II C

Maximum Voltage: Um=250V

Intrinsic Safety Parameters(7、8 terminals):

U_o=25V, I_o=140mA, P_o=875mW

II C: C_o=0.11μF, L_o=1.5mH

II B: C_o=0.84μF, L_o=4.5mH

II A: C_o=2.97μF, L_o=12.0mH

Digital Output(Loop Powered)

1/1: GS8525-EX

Digital output isolated barriers, control the 12V/60mA power supply to hazardous area. This product is suitable for driving IS devices such as solenoid valves, LED and some other low-power loads located in the hazardous area. The input and output are each galvanically isolated, and allow the control switch to directly connect to the either side of 24V DC power supply loop circuit.

Specification

Loop Supply Voltage (U_e): 20~35V DC

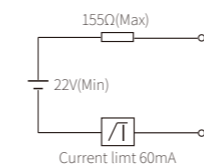
Current Consumption: ≤95mA(Supply voltage: 24V; output: 60mA)

Hazardous-area Output:

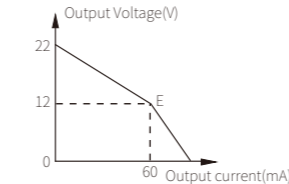
Open-circuit Voltage: 22V~24V

Output Voltage at 60mA: ≥12V

Equivalent Output Circuit:



Output Characteristic:



Response Time: ≤20ms

Power Supply Protection: Power supply reverse protection

EMC: According to IEC 61326-1(GB/T 18268)

Ambient Temperature: -20°C~+60°C

Dielectric Strength:

Between non-intrinsically safe part and intrinsically safe part ≥2500V AC

Insulation Resistance:

Between non-intrinsically safe part and intrinsically safe part ≥100MΩ

Structure: GS8500 range structure customized by Phoenix Contact.

Weight: Approx. 100g

Suitable Location: Mounting in safe area, and connected to the IS

apparatus in zone 0/1/2, II B, II A, T4~T6 hazardous area.

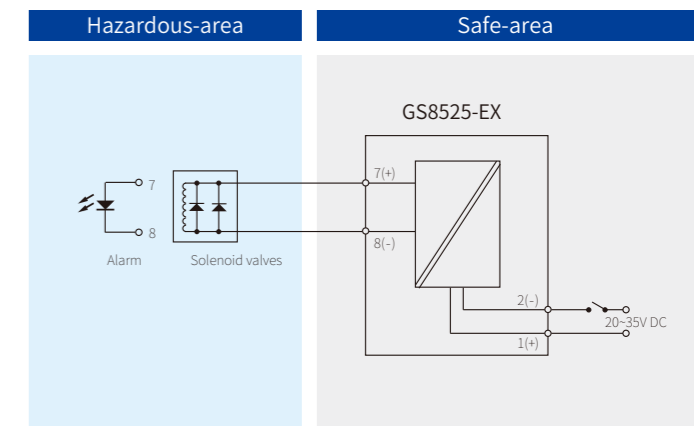
Suitable Field Apparatus: solenoid valves, LED.



Dimensions: 118.9mm×106.0mm×12.5mm



Connection



Explosion-proof Certificate

Certifying Authority: NEPSI(China)

Ex Marking: [Ex ia Ga] II B

Maximum Voltage: Um=250V

Intrinsic Safety Parameters(7、8 terminals):

U_o=25V, I_o=185mA, P_o=1157mW

II B: C_o=0.51μF, L_o=4.5mH

II A: C_o=1.36μF, L_o=10.56mH

Analog Input(Loop Powered)

1/1: GS8531-EX
2/2: GS8532-EX

These products can work as an AI isolated barrier to provide a separate power to the transmitter located in the hazardous area and transfer the current from hazardous area to safe area. It can also work as an AO isolated barrier to transfer current signal from the safe area to the hazardous area and drive devices like actuator in field. It allows bi-directional transmission of HART communication signals. The input and output are each galvanically isolated, and these products are loop powered.

Specification

Loop Supply Voltage (Ue): 20~30V DC

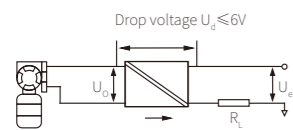
Application 1(AI):

Safe-area Output:

Current: 4~20mA, HART digital signal
HART Communication Load Resistance $R_L \geq 250\Omega$

Hazardous-area Input:

Current: 4~20mA, HART digital signal
Supply Voltage: $U_o \geq U_e - R_L \times 0.02 - 6$



Output Accuracy: 0.4%F.S.

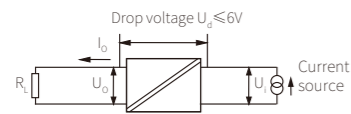
Application 2(AO):

Safe-area Input:

Current: 4~20mA, HART digital signal

Hazardous-area Output:

Current: 4~20mA, HART digital signal
Load Resistance: $R_L \leq (U_i - 6)/0.02$
HART Communication Load Resistance $R_L \geq 250\Omega$



Output Accuracy: 0.2%F.S.

Temperature Drift: 0.01%F.S./°C

EMC: According to IEC 61326-1(GB/T 18268)

Ambient Temperature: -20°C~+60°C

Dielectric Strength:

Between non-intrinsically safe part and intrinsically safe part $\geq 2500V$ AC

Insulation Resistance:

Between non-intrinsically safe part and intrinsically safe part $\geq 100M\Omega$

Structure: GS8500 range structure customized by Phoenix Contact.

Weight: Approx. 150g

Suitable Location: Mounting in safe area, and connected to the IS apparatus in zone 1/2, II C, II B, II A, T4~T6 hazardous area.

Suitable Field Apparatus:

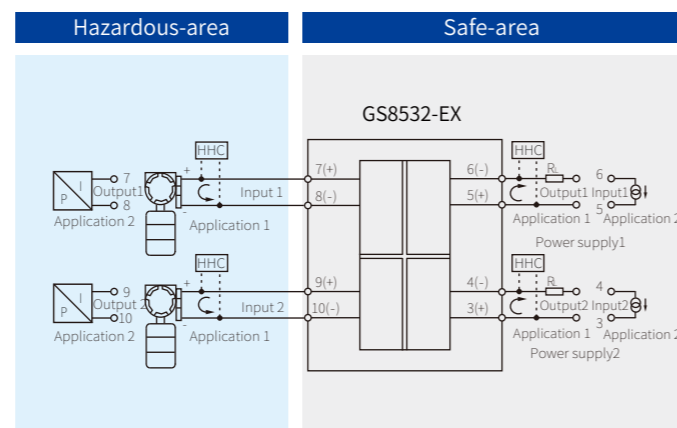
2-wire (HART) transmitter(Application 1)

2-wire valve positioner, electrical converter(Application 2)



Dimensions: 118.9mm×106.0mm×12.5mm

Connection



Note: a) GS8531-EX only contains input1, output1;
b) Can't use HHC (HART Hand Held Communicator) in hazardous area and safe area at the same time;
c) HHC(HART Hand Held Communicator)used in the hazardous area must get the explosion-proof certificate.

Explosion-proof Certificate

Certifying Authority: NEPSI(China)

Ex Marking: [Ex ib Gb] II C

Maximum Voltage: $U_m=250V$

Intrinsic Safety Parameters(7、8、9、10 terminals):

II C: $C_o=0.096\mu F$, $L_o=0.5mH$

II B: $C_o=0.288\mu F$, $L_o=1.5mH$

II A: $C_o=0.528\mu F$, $L_o=4.0mH$

Analog Input

1/2: GS8535-EX

2-wire (HART) transmitter, 3-wire transmitter, current source input isolated barrier, provide isolated power supplies for transmitters which located in hazardous area. Transfer 4~20mA signal from hazardous area to safe area. It also allows bi-directional transmission of HART communication signals. The product needs an independent power supply and galvanic isolation among power supply, input and output.

Specification

Supply Voltage: 20~35V DC

Current Consumption: $\leq 75mA$ (Supply voltage: 24V; output: 20mA)

Safe-area Output:

Current: 0/4~20mA, HART digital signal

Load Resistance: $R_L \leq 300\Omega$

HART Communication Load Resistance: $R_L \geq 250\Omega$

Voltage: 0/1~5V

Load Resistance: $R_L \geq 330k\Omega$

Output loop powered voltage U_e : 12~30V DC

Note: Customers need specify current(active or passive) or voltage output when ordering.

Hazardous-area Input:

Current: 0/4~20mA, HART digital signal

Distribution:

Open-circuit Voltage: $\leq 28V$

Voltage at 20mA: $\geq 15.5V$

Normal working current: $\leq 25mA$

Output Accuracy: 0.1%F.S.(Typical: 0.05%F.S.)

Temperature Drift: 0.005%F.S./°C

Response Time(0~90%): $\leq 2ms$

Power Supply Protection: Power supply reverse protection

EMC: According to IEC 61326-1(GB/T 18268), IEC 61326-3-1

Ambient Temperature: -20°C~+60°C

Dielectric Strength:

Between non-intrinsically safe part and intrinsically safe part $\geq 2500V$ AC

Between power supply part and output part $\geq 500V$ AC

Insulation Resistance:

Between non-intrinsically safe part and intrinsically safe part $\geq 100M\Omega$

Between power supply part and output part $\geq 100M\Omega$

Structure: GS8500 range structure customized by Phoenix Contact.

Weight: Approx. 115g

Suitable Location: Mounting in safe area, and connected to the IS

apparatus in zone 0/1/2, II C, II B, II A, T4~T6 hazardous area.

Suitable Field Apparatus: 2-wire (HART) transmitter, 3-wire transmitter,

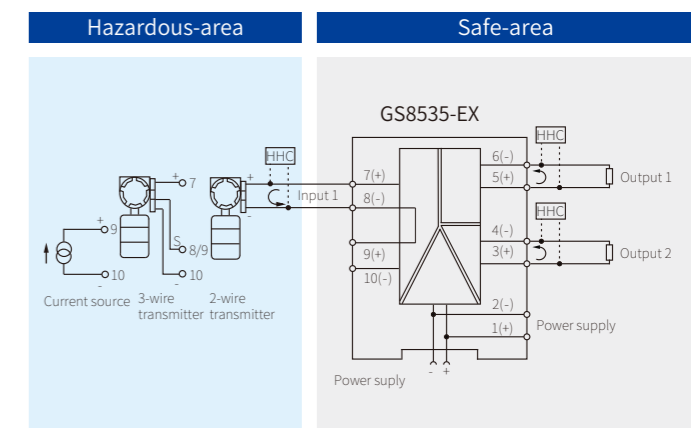
current source

SIL2
IEC61508



Dimensions: 118.9mm×106.0mm×12.5mm

Connection



Note: a) Can't use HHC (HART Hand Held Communicator) in hazardous area and safe area at the same time;
b) HHC(HART Hand Held Communicator)used in the hazardous area must get the explosion-proof certificate;
c) Bus-powered function is optional, if necessary please specified when ordering, and purchase bus power supply accessories in additional.

Explosion-proof Certificate

Certifying Authority: NEPSI(China)

Ex Marking: [Ex ia Ga] II C

[Ex iaD]

Maximum Voltage: $U_m=250V$

Intrinsic Safety Parameters(7、8、9、10 terminals):

II C: $C_o=0.083\mu F$, $L_o=4.2mH$

*II B: $C_o=0.65\mu F$, $L_o=12.6mH$

II A: $C_o=2.15\mu F$, $L_o=33.6mH$

*II B Intrinsic Safety Parameters are also suitable for dust explosion protection[Ex iaD]

(9、10 terminals):

$U_o=3.5V$, $C_o=100\mu F$

$U_i=20V$, $I_i=110mA$, $C_i=0\mu F$, $L_i=0.54mH$

2/2: GS8536-EX

2-wire (HART) transmitter, 3-wire transmitter, current source input isolated barrier, provide isolated power supplies for transmitters which located in hazardous area. Transfer 4~20mA signal from hazardous area to safe area. It also allows bi-directional transmission of HART communication signals. The product needs an independent power supply and galvanic isolation among power supply, input and output.

Specification

Supply Voltage: 20~35V DC

Current Consumption: $\leq 100\text{mA}$ (Supply voltage: 24V; output: 20mA)

Safe-area Output:

Current: 0/4~20mA, HART digital signal

Load Resistance: $R_L \leq 300\Omega$

HART Communication Load Resistance: $R_L \geq 250\Omega$

Voltage: 0/1~5V

Load Resistance: $R_L \geq 330k\Omega$

Output loop powered voltage U_e : 12~30V DC

Note: Customers need specify current (active or passive) or voltage output when ordering.

Hazardous-area Input:

Current: 0/4~20mA, HART digital signal

Distribution:

Open-circuit Voltage: $\leq 28\text{V}$

Voltage at 20mA: $\geq 15.5\text{V}$

Normal working current: $\leq 25\text{mA}$

Output Accuracy: 0.1%F.S. (Typical: 0.05%F.S.)

Temperature Drift: 0.005%F.S./ $^{\circ}\text{C}$

Response Time(0~90%): $\leq 2\text{ms}$

Power Supply Protection: Power supply reverse protection

EMC: According to IEC 61326-1(GB/T 18268), IEC 61326-3-1

Ambient Temperature: $-20^{\circ}\text{C} \sim +60^{\circ}\text{C}$

Dielectric Strength:

Between non-intrinsically safe part and intrinsically safe part $\geq 2500\text{V AC}$

Between power supply part and output part $\geq 500\text{V AC}$

Insulation Resistance:

Between non-intrinsically safe part and intrinsically safe part $\geq 100\text{M}\Omega$

Between power supply part and output part $\geq 100\text{M}\Omega$

Structure: GS8500 range structure customized by Phoenix Contact.

Weight: Approx. 135g

Suitable Location: Mounting in safe area, and connected to the IS apparatus in zone 0/1/2, II C, II B, II A, T4~T6 hazardous area.

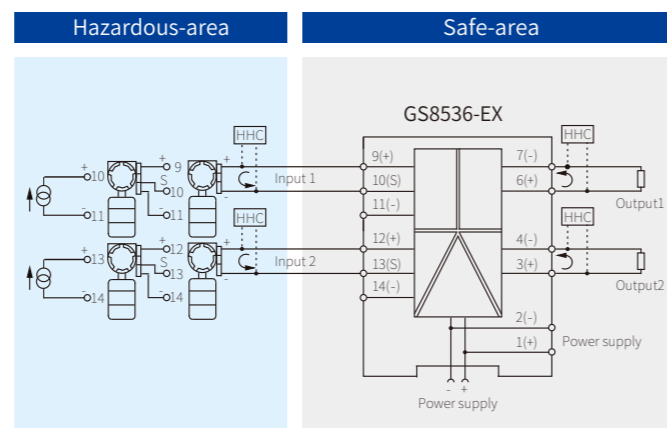
Suitable Field Apparatus: 2-wire (HART) transmitter, 3-wire transmitter, current source.

SIL2
IEC61508



Dimensions: 118.9mm × 106.0mm × 17.5mm

Connection



Note: a) Can't use HHC (HART Hand Held Communicator) in hazardous area and safe area at the same time.

b) HHC (HART Hand Held Communicator) used in the hazardous area must get the explosion-proof certificate.

c) Bus-powered function is optional, if necessary please specified when ordering, and purchase bus power supply accessories in additional.

Explosion-proof Certificate

Certifying Authority: NEPSI(China)

Ex Marking: [Ex ia Ga] II C

[Ex iaD]

Maximum Voltage: $U_m=250\text{V}$

Intrinsic Safety Parameters(9、10、11; 12、13、14 terminals):

$U_o=28\text{V}$, $I_o=93\text{mA}$, $P_o=651\text{mW}$

II C: $C_o=0.083\mu\text{F}$, $L_o=4.2\text{mH}$

*II B: $C_o=0.65\mu\text{F}$, $L_o=12.6\text{mH}$

II A: $C_o=2.15\mu\text{F}$, $L_o=33.6\text{mH}$

*II B Intrinsic Safety Parameters are also suitable for dust explosion protection [Ex iaD]

(10、11; 13、14 terminals):

$U_o=1.2\text{V}$, $C_o=100\mu\text{F}$

$U_i=20\text{V}$, $I_i=110\text{mA}$, $C_i=0\mu\text{F}$, $L_i=0.54\mu\text{H}$

1/1: GS8547-EX

2-wire (HART) transmitter, 3-wire transmitter, current source input isolated barrier, provide isolated power supplies for transmitters which located in hazardous area. Transfer 4~20mA signal from hazardous area to safe area. It also allows bi-directional transmission of HART communication signals. The product needs an independent power supply and galvanic isolation among power supply, input and output.

Specification

Supply Voltage: 20~35V DC

Current Consumption: $\leq 65\text{mA}$ (Supply voltage: 24V; output: 20mA)

Safe-area Output:

Current: 0/4~20mA, HART digital signal

Load Resistance: $R_L \leq 550\Omega$

HART Communication Load Resistance: $R_L \geq 250\Omega$

Voltage: 0/1~5V

Load Resistance: $R_L \geq 330k\Omega$

Note: Customers need specify current output or voltage output when ordering.

Hazardous-area Input:

Current: 0/4~20mA, HART digital signal

Distribution:

Open-circuit Voltage: $\leq 28\text{V}$

Voltage at 20mA: $\geq 15.5\text{V}$

Normal working current: $\leq 25\text{mA}$

Output Accuracy: 0.1%F.S. (Typical: 0.05%F.S.)

Temperature Drift: 0.005%F.S./ $^{\circ}\text{C}$

Response Time(0~90%): $\leq 2\text{ms}$

Power Supply Protection: Power supply reverse protection

EMC: According to IEC 61326-1(GB/T 18268), IEC 61326-3-1

Ambient Temperature: $-20^{\circ}\text{C} \sim +60^{\circ}\text{C}$

Dielectric Strength:

Between non-intrinsically safe part and intrinsically safe part $\geq 2500\text{V AC}$

Between power supply part and output part $\geq 500\text{V AC}$

Insulation Resistance:

Between non-intrinsically safe part and intrinsically safe part $\geq 100\text{M}\Omega$

Between power supply part and output part $\geq 100\text{M}\Omega$

Structure: GS8500 range structure customized by Phoenix Contact.

Weight: Approx. 110g

Suitable Location: Mounting in safe area, and connected to the IS apparatus in zone 0/1/2, II C, II B, II A, T4~T6 hazardous area.

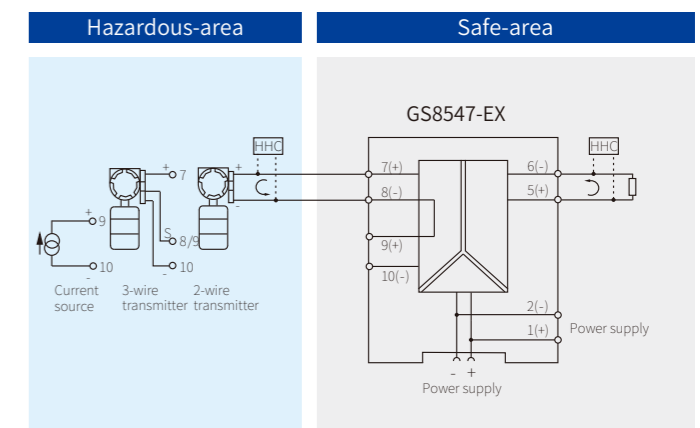
Suitable Field Apparatus: 2-wire (HART) transmitter, 3-wire transmitter, current source

SIL3
IEC61508



Dimensions: 118.9mm × 106.0mm × 12.5mm

Connection



Note: a) Can't use HHC (HART Hand Held Communicator) in hazardous area and safe area at the same time.

b) HHC (HART Hand Held Communicator) used in the hazardous area must get the explosion-proof certificate.

c) Bus-powered function is optional, if necessary please specified when ordering, and purchase bus power supply accessories in additional.

Explosion-proof Certificate

Certifying Authority: NEPSI(China)

Ex Marking: [Ex ia Ga] II C

Maximum Voltage: $U_m=250\text{V}$

Intrinsic Safety Parameters(7、8; 9、10 terminals):

$U_o=28\text{V}$, $I_o=93\text{mA}$, $P_o=651\text{mW}$

II C: $C_o=0.083\mu\text{F}$, $L_o=4.2\text{mH}$

II B: $C_o=0.65\mu\text{F}$, $L_o=12.6\text{mH}$

II A: $C_o=2.15\mu\text{F}$, $L_o=33.6\text{mH}$

1/1: GS8549-EX

2-wire (HART) transmitter, 3-wire transmitter, current source input isolated barrier, provide isolated power supplies for transmitters which located in hazardous area. Transfer the 4~20mA signal from hazardous area to safe area. It also allows bi-directional transmission of HART communication signals. The product needs an independent power supply and galvanic isolation among power supply, input and output.

Specification

Supply Voltage: 20~35V DC

Current Consumption: ≤70mA(Supply voltage: 24V; output: 20mA)

Safe-area Output:

Current: 0/4~20mA, HART digital signal

Load Resistance: $R_L \leq 550\Omega$

HART Communication Load Resistance: $R_L \geq 250\Omega$

Voltage: 0/1~5V

Load Resistance: $R_L \geq 330k\Omega$

Note: Customers need specify current output or voltage output when ordering.

Hazardous-area Input:

Current: 0/4~20mA, HART digital signal

Distribution:

Open-circuit Voltage: ≤28V

Voltage at 20mA: ≥19V

Normal working current: ≤25mA

Output Accuracy: 0.1%F.S.(Typical: 0.05%F.S.)

Temperature Drift: 0.005%F.S./°C

Response Time(0~90%): ≤2ms

Power Supply Protection: Power supply reverse protection

EMC: According to IEC 61326-1(GB/T 18268)

Ambient Temperature: -20°C~+60°C

Dielectric Strength:

Between non-intrinsically safe part and intrinsically safe part ≥2500V AC

Between power supply part and output part ≥500V AC

Insulation Resistance:

Between non-intrinsically safe part and intrinsically safe part ≥100MΩ

Between power supply part and output part ≥100MΩ

Structure: GS8500 range structure customized by Phoenix Contact.

Weight: Approx. 110g

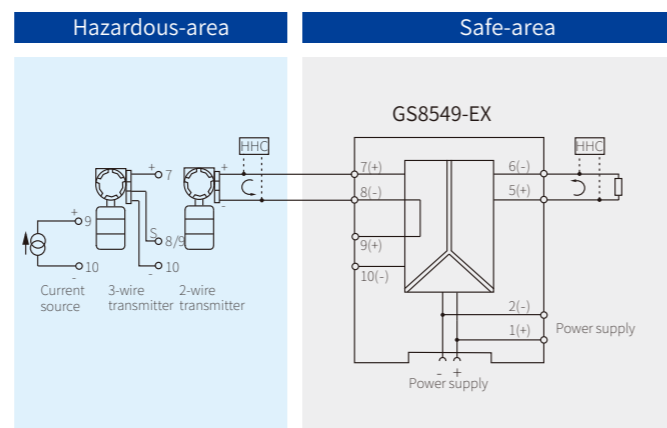
Suitable Location: Mounting in safe area, and connected to the IS apparatus in zone 0/1/2, II B, II A, T4~T6 hazardous area.

Suitable Field Apparatus: 2-wire (HART) transmitter, 3-wire transmitter, current source



Dimensions: 118.9mm×106.0mm×12.5mm

Connection



Note: a) Can't use HHC (HART Hand Held Communicator) in hazardous area and safe area at the same time.;

b) HHC(HART Hand Held Communicator)used in the hazardous area must get the explosion-proof certificate.

c) Bus-powered function is optional, if necessary please specified when ordering, and purchase bus power supply accessories in additional.

Explosion-proof Certificate

Certifying Authority: NEPSI(China)

Ex Marking: [Ex ia Ga] II B

Maximum Voltage: $U_m=250V$

Intrinsic Safety Parameters(7、8、9、10 terminals):

$U_o=28V, I_o=187mA, P_o=1310mW$

II B: $C_o=0.65\mu F, L_o=4.5mH$

II A: $C_o=2.15\mu F, L_o=12.0mH$

1/3: GS8347-EX

Analog input isolated barrier provides isolated power supplies for transmitters which located in hazardous area and transfer 4~20mA signal from hazardous area to safe area. This product controls two relay outputs to monitor the input. It also has a 4~20mA current or 1~5V voltage output and a 5-digit LCD display values. The product needs an independent power supply and galvanic isolation among power supply, input and output.

Specification

Supply Voltage: 20~35V DC

Current Consumption: ≤100mA(Supply voltage: 24V; Output: 20mA;

Relay: energized)

Safe-area Output:

Current: 4~20mA Load resistance: $R_L \leq 300\Omega$

Voltage: 1~5V Load resistance: $R_L \geq 20k\Omega$

(Note: Customers need to specify current output or voltage output when ordering)

Relay characteristics:

Response Time: ≤20ms

Contact loading: 250V AC,2A or 30V DC,2A

Load Type: resistive load

Hazardous-area Input:

Current: 4~20mA

Distribution:

Open-circuit Voltage: ≤26V

Voltage at 20mA: ≥16V

Transmission Accuracy: 0.1%F.S.

Temperature Drift: 0.005%F.S./°C

Power Supply Protection: Power supply reverse protection

EMC: According to IEC 61326-1(GB/T 18268)

Ambient Temperature: -20°C~+60°C

Dielectric Strength:

Between non-intrinsically safe part and intrinsically safe part ≥2500V AC

Between power supply part and output part ≥500V AC

Insulation Resistance:

Between non-intrinsically safe part and intrinsically safe part ≥100MΩ

Between power supply part and output part ≥100MΩ

Weight: Approx. 350g

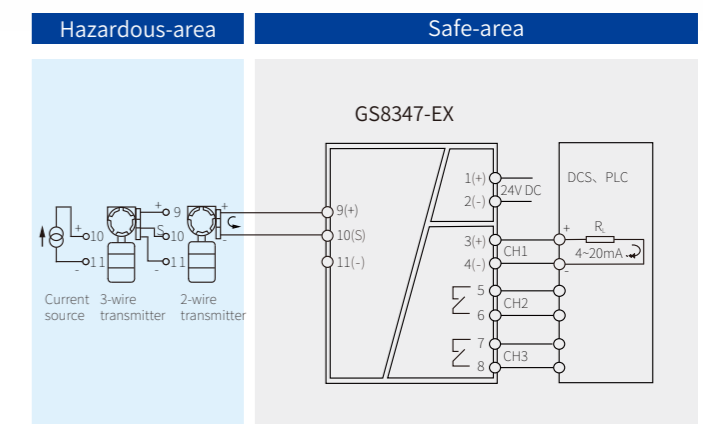
Suitable Location: Mounting in safe area, and connected to the IS apparatus in zone 0/1/2, II C, II B, II A, T4~T6 hazardous area.

Suitable Field Apparatus: 2-wire or 3-wire transmitter, current source signal



Dimensions: 107.5mm×75.0mm×45mm

Connection



Explosion-proof Certificate

Certifying Authority: NEPSI(China)

Ex Marking: [Ex ia Ga] II C

[Ex iaD]

Maximum Voltage: $U_m=250V$

Intrinsic Safety Parameters(9、10、11 terminals):

$U_o=28V, I_o=93mA, P_o=651mW$

II C: $C_o=0.083\mu F, L_o=4.2mH$

*II B: $C_o=0.65\mu F, L_o=12.6mH$

II A: $C_o=2.15\mu F, L_o=33.6mH$

*II B Intrinsic Safety Parameters are also suitable for dust explosion protection[Ex iaD]

1/1: GS8567-EX

Analog output isolated barrier transfer the 4~20mA signal from safe area to hazardous area to drive executive devices. It also allows bi-directional transmission of HART communication signals. The product needs an independent power supply and galvanic isolation among power supply, input and output.

Specification

Supply Voltage: 20~35V DC

Current Consumption: $\leq 55\text{mA}$ (Supply voltage: 24V; output: 20mA)

Safe-area Input:

Current: 0/4~20mA, HART digital signal

Voltage drop: $\leq 6\text{V}$

Hazardous-area Output:

Current: 0/4~20mA, HART digital signal

Load Resistance: $R_L \leq 800\Omega$

HART Communication Load Resistance: $R_L \geq 250\Omega$

Output Accuracy: 0.1%F.S.

Temperature Drift: 0.005%F.S./°C

Response Time(0~90%): $\leq 2\text{ms}$

Power Supply Protection: Power supply reverse protection

Output short-circuit Alarm:

When output load $\leq 80\Omega$, short-circuit alarm active, and output 0mA

EMC: According to IEC 61326-1(GB/T 18268), IEC 61326-3-1

Ambient Temperature: -20°C~+60°C

Dielectric Strength:

Between non-intrinsically safe part and intrinsically safe part $\geq 2500\text{V AC}$

Between power supply part and input part $\geq 500\text{V AC}$

Insulation Resistance:

Between non-intrinsically safe part and intrinsically safe part $\geq 100\text{M}\Omega$

Between power supply part and input part $\geq 100\text{M}\Omega$

Structure: GS8500 range structure customized by Phoenix Contact.

Weight: Approx. 100g

Suitable Location: Mounting in safe area, and connected to the IS apparatus in zone 0/1/2, II C, II B, II A, T4~T6 hazardous area.

Suitable Field Apparatus: 2-wire valve positioner, electrical converter, etc.

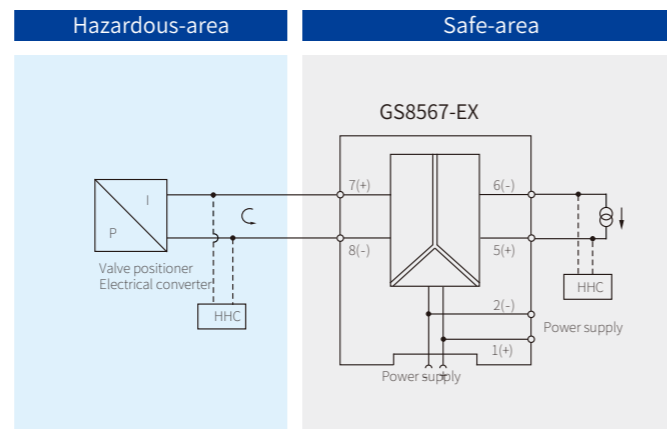
SIL2
IEC61508



Dimensions: 118.9mm × 106.0mm × 12.5mm



Connection



Note: a) Can't use HHC (HART Hand Held Communicator) in hazardous area and safe area at the same time.;

b) HHC(HART Hand Held Communicator)used in the hazardous area must get the explosion-proof certificate.

c) Bus-powered function is optional, if necessary please specified when ordering, and purchase bus power supply accessories in additional.

Explosion-proof Certificate

Certifying Authority: NEPSI(China)

Ex Marking: [Ex ia Ga] II C

Maximum Voltage: $U_m=250\text{V}$

Intrinsic Safety Parameters(7、8 terminals):

$U_o=28\text{V}$, $I_o=93\text{mA}$, $P_o=651\text{mW}$

II C: $C_o=0.083\mu\text{F}$, $L_o=4.2\text{mH}$

II B: $C_o=0.65\mu\text{F}$, $L_o=12.6\text{mH}$

II A: $C_o=2.15\mu\text{F}$, $L_o=33.6\text{mH}$

2/2: GS8568-EX

Analog output isolated barrier transfer the 4~20mA signal from safe area to hazardous area to drive executive devices. It also allows bi-directional transmission of HART communication signals. The product needs an independent power supply and galvanic isolation among power supply, input and output.

Specification

Supply Voltage: 20~35V DC

Current Consumption: $\leq 80\text{mA}$ (Supply voltage: 24V; output: 20mA)

Safe-area Input:

Current: 0/4~20mA, HART digital signal

Voltage drop: $\leq 6\text{V}$

Hazardous-area Output:

Current: 0/4~20mA, HART digital signal

Load Resistance: $R_L \leq 800\Omega$

HART Communication Load Resistance: $R_L \geq 250\Omega$

Output Accuracy: 0.1%F.S.(Typical: 0.05%F.S.)

Temperature Drift: 0.005%F.S./°C

Response Time(0~90%): $\leq 2\text{ms}$

Power Supply Protection: Power supply reverse protection

EMC: According to IEC 61326-1(GB/T 18268), IEC 61326-3-1

Ambient Temperature: -20°C~+60°C

Dielectric Strength:

Between non-intrinsically safe part and intrinsically safe part $\geq 2500\text{V AC}$

Between power supply part and input part $\geq 500\text{V AC}$

Insulation Resistance:

Between non-intrinsically safe part and intrinsically safe part $\geq 100\text{M}\Omega$

Between power supply part and input part $\geq 100\text{M}\Omega$

Structure: GS8500 range structure customized by Phoenix Contact.

Weight: Approx. 135g

Suitable Location: Mounting in safe area, and connected to the IS apparatus in zone 0/1/2, II C, II B, II A, T4~T6 hazardous area.

Suitable Field Apparatus: 2-wire valve positioner, electrical converter, etc.

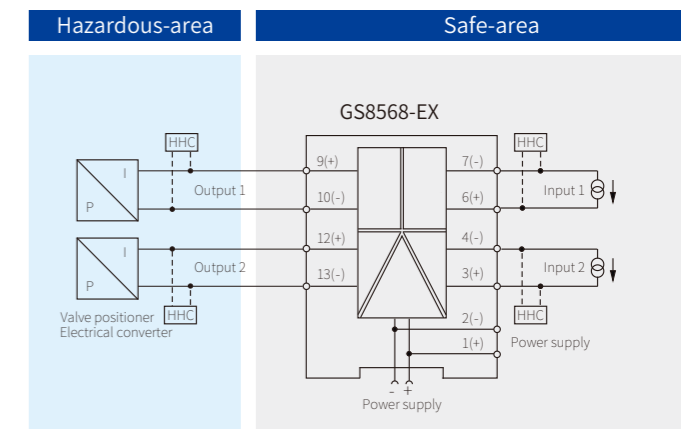
SIL2
IEC61508



Dimensions: 118.9mm × 106.0mm × 17.5mm



Connection



Note: a) Can't use HHC (HART Hand Held Communicator) in hazardous area and safe area at the same time.;

b) HHC(HART Hand Held Communicator)used in the hazardous area must get the explosion-proof certificate.

c) Bus-powered function is optional, if necessary please specified when ordering, and purchase bus power supply accessories in additional.

Explosion-proof Certificate

Certifying Authority: NEPSI(China)

Ex Marking: [Ex ia Ga] II C

[Ex iaD]

Maximum Voltage: $U_m=250\text{V}$

Intrinsic Safety Parameters(9、10; 12、13 terminals):

$U_o=28\text{V}$, $I_o=93\text{mA}$, $P_o=651\text{mW}$

II C: $C_o=0.083\mu\text{F}$, $L_o=4.2\text{mH}$

*II B: $C_o=0.65\mu\text{F}$, $L_o=12.6\text{mH}$

II A: $C_o=2.15\mu\text{F}$, $L_o=33.6\text{mH}$

*II B Intrinsic Safety Parameters are also suitable for dust explosion protection[Ex iaD]

Pulse Input

3/3: GS8556-EX

Pulse input and output isolated barriers transfer the voltage (V type), the complementary (F type) and the open collector (C type) output from the encoder in the hazardous area to safe area. Meanwhile, this product supplies power to the encoder in hazardous area. The product needs an independent power supply and galvanic isolation among power supply, input and output.

Specification

Supply Voltage: 20~35V DC

Current Consumption: $\leq 120\text{mA}$ (Supply voltage: 24V; Output: 12V voltage pulse; distribution voltage: 24V)

Safe-area Output:

Transistor Output: Supply voltage $V_{cc} \leq 40\text{V}$, Rated current $\leq 40\text{mA}$

Transistor Collector Output:

$V_H = V_{cc}$; $V_L \leq 2.5\text{V}$ (On-state current = 10mA, $V_{cc} = 24\text{V}$)

Load Resistance: $2\text{k}\Omega \leq R_L \leq 20\text{k}\Omega$

Transistor Emitter Output:

$V_H \geq V_{cc} - 2.5\text{V}$; $V_L \leq 0.5\text{V}$ (On-state current = 10mA, $V_{cc} = 24\text{V}$)

Load Resistance: $2\text{k}\Omega \leq R_L \leq 20\text{k}\Omega$

Voltage pulse Output:

High Voltage: $9\text{V} \leq V_H \leq 12\text{V}$

Low Voltage: $V_L \leq 0.5\text{V}$

Load Resistance: $R_L \geq 1\text{k}\Omega$, Rated current $\leq 10\text{mA}$

Hazardous-area Input:

Voltage pulse Input: High voltage $V_H \geq 4\text{V}$; Low voltage $V_L \leq 1\text{V}$

Frequency at voltage pulse output $\leq 50\text{kHz}$

Frequency at transistor output $\leq 20\text{kHz}$

Transistor Input: NPN/PNP

Frequency at voltage pulse output $\leq 20\text{kHz}$

Frequency at transistor output $\leq 10\text{kHz}$

(Input signal $V_H \leq 12\text{V}$, Duty ratio $\geq 30\%$)

The input signal type can be set by the DIP switches:

Sta.	Input 1		Input 2		Input 3	
	K1	K2	K3	K4	K5	K6
Voltage pulse Input	OFF	OFF	OFF	OFF	OFF	OFF
Emitter (PNP) Input	ON	OFF	ON	OFF	ON	OFF
Collector (NPN) Input	OFF	ON	OFF	ON	OFF	ON

Distribution power: Open-voltage: $\leq 26\text{V}$; Rated voltage: $\geq 15.5\text{V}$ at 20mA

Note: a) K1 and K2 cannot be ON at the same time;

b) K3 and K4 cannot be ON at the same time;

c) K5 and K6 cannot be ON at the same time.

Power Supply Protection: Power supply reverse protection

EMC: According to IEC 61326-1(GB/T 18268)

Ambient Temperature: $-20^\circ\text{C} \sim +60^\circ\text{C}$

Dielectric Strength:

Between non-intrinsically safe part and intrinsically safe part $\geq 2500\text{V AC}$

Between power supply part and output part $\geq 1500\text{V AC}$

Structure: GS8500 range structure customized by Phoenix Contact

Weight: Approx.150g

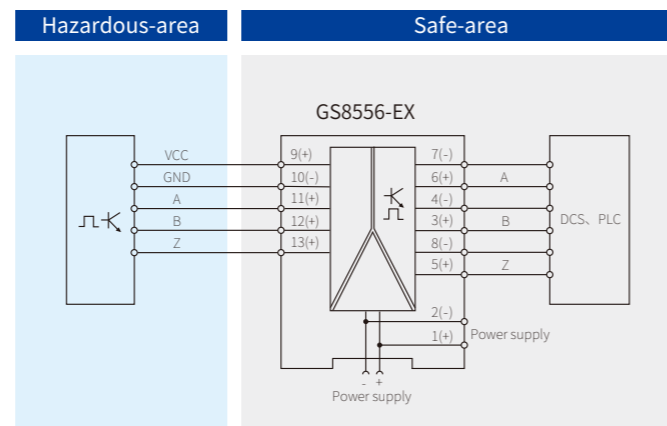
Suitable Location: Mounting in safe area, and connected to the IS apparatus in zone 0/1/2, II C, II B, II A, T4~T6 hazardous area.

Suitable Field Apparatus: 2-wire or 3-wire pulse signal source, encoder



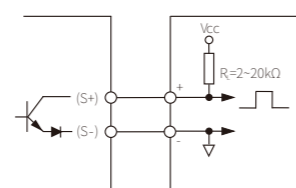
Dimensions: 118.9mm × 106.0mm × 17.5mm

Connection

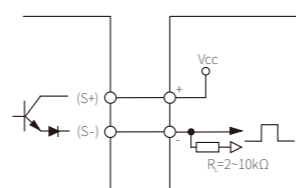


Note: Bus-powered function is optional, if necessary please specified when ordering, and purchase bus power accessories in additional.

Application 1:
Transistor Collector Output



Application 2:
Transistor Emitter Output



Explosion-proof Certificate

Certifying Authority: NEPSI(China)

Ex Marking: [Ex ia Ga] II C

Maximum Voltage: $U_m = 250\text{V}$

Intrinsic Safety Parameters(9、10、11 terminals):

$U_o = 28\text{V}$, $I_o = 111\text{mA}$, $P_o = 777\text{mW}$

II C: $C_o = 0.083\mu\text{F}$, $L_o = 2.5\text{mH}$

II B: $C_o = 0.65\mu\text{F}$, $L_o = 7.5\text{mH}$

II A: $C_o = 2.15\mu\text{F}$, $L_o = 20.0\text{mH}$

(11、10; 12、10; 13、10 terminals):

$U_o = 13.65\text{V}$, $I_o = 7.5\text{mA}$, $P_o = 26\text{mW}$

II C: $C_o = 0.7\mu\text{F}$, $L_o = 100\text{mH}$

II B: $C_o = 5.0\mu\text{F}$, $L_o = 300\text{mH}$

II A: $C_o = 18.1\mu\text{F}$, $L_o = 800\text{mH}$

Fire and Smoke Detector Input(Loop Powered)

1/1: GS8565-EX
2/2: GS8566-EX

Fire detector input isolated barriers provide the fire and smoke detectors in hazardous area isolated power and transfer 0~40mA signal generated by detectors in the hazardous area to the safe area. This product acts as a smoke alarm and it is suitable for loop-powered DCS/PLC system.

Specification

Loop Supply Voltage (Ui): 20~30V DC

Safe-area output:

Current: 0~40mA

Hazardous-area input:

Current: 0~40mA

Distribution Voltage:

$U_o \geq U_i - (280 + R_i)I - 6(U_i \leq 24\text{V})$

$U_o \geq 18 - (280 + R_i)I (U_i > 24\text{V})$

Short-circuit Current: $\leq 65\text{mA}$ (Supply voltage: 24V)

Transmission Accuracy: 0.2%F.S.

Temperature Drift: 0.01%F.S./ $^\circ\text{C}$ ($0^\circ\text{C} \sim 60^\circ\text{C}$)

0.02%F.S./ $^\circ\text{C}$ ($-20^\circ\text{C} \sim 0^\circ\text{C}$)

Response Time(0~90%): $\leq 2\text{ms}$

Power Supply Protection: Power supply reverse protection

EMC: According to IEC 61326-1(GB/T 18268)

Ambient Temperature: $-20^\circ\text{C} \sim +60^\circ\text{C}$

Dielectric Strength:

Between non-intrinsically safe part and intrinsically safe part $\geq 2500\text{V AC}$

Between channels $\geq 1500\text{V AC}$

Insulation Resistance:

Between non-intrinsically safe part and intrinsically safe part $\geq 100\text{M}\Omega$

Between channels $\geq 100\text{M}\Omega$

Structure: GS8500 range structure customized by Phoenix Contact

Weight: Approx.100g

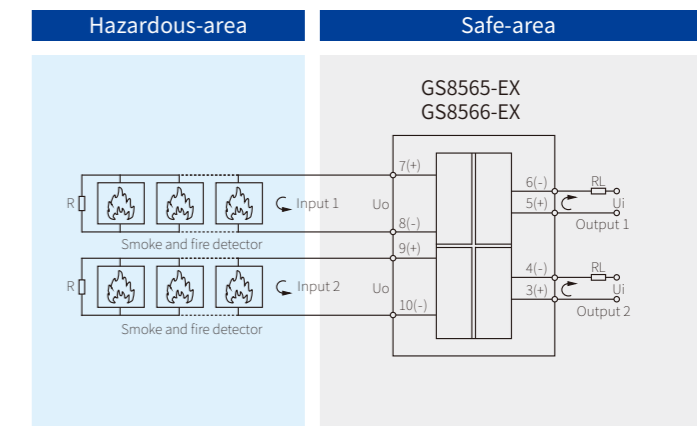
Suitable Location: Mounting in safe area, and connected to the IS apparatus in zone 0/1/2, II C, II B, II A, T4~T6 hazardous area.

Suitable Field Apparatus: Smoke, fire detector



Dimensions: 118.9mm × 106.0mm × 12.5mm

Connection



Note: GS8565-EX only contains input1, output1;

Explosion-proof Certificate

Certifying Authority: NEPSI(China)

Ex Marking: [Ex ia Ga] II C

Maximum Voltage: $U_m = 250\text{V}$

Intrinsic Safety Parameters(7、8; 9、10 terminals):

$U_o = 25.2\text{V}$, $I_o = 93\text{mA}$, $P_o = 586\text{mW}$

II C: $C_o = 0.107\mu\text{F}$, $L_o = 4.2\text{mH}$

II B: $C_o = 0.82\mu\text{F}$, $L_o = 12.6\text{mH}$

II A: $C_o = 2.9\mu\text{F}$, $L_o = 33.6\text{mH}$

Temperature Input

1/1: GS8572-EX(RTD, TC input)
GS8572-EX.RTD(RTD input)
GS8572-EX.R(Potentiometer input)

Temperature input isolated barriers, converter potentiometer/RTD/TC signals in hazardous area into 0/4~20mA or 0/1~5V signals and output to safe area. It can be configured by computer. The product needs an independent power supply and galvanic isolation among power supply, input and output.

Specification

Supply Voltage: 20~35V DC
Current Consumption: ≤40mA(Supply voltage: 24V; Output: 20mA)
Safe-area Output:
Output Current: 0~20mA/4~20mA; Load resistance: $R_L \leq 300\Omega$
Output Voltage: 0~5V/1~5V; Load resistance: $R_L \geq 20k\Omega$
(Customers need specify current output or voltage output when ordering)

Hazardous-area Input:
Input Signal: please see the table 'Input Signal and Range'.
Temperature Drift: 0.01%F.S./°C
CJC: ±1°C(Compensation range: -20°C~+60°C)
Response Time(0~90%): ≤1s
Power Supply Protection: Power supply reverse protection
EMC: According to IEC 61326-1(GB/T 18268)
Ambient Temperature: -20°C~+60°C
Dielectric Strength:
Between non-intrinsically safe part and intrinsically safe part ≥2500V AC
Between power supply part and output part ≥500V AC
Insulation Resistance:
Between non-intrinsically safe part and intrinsically safe part ≥100MΩ
Between power supply part and output part ≥100MΩ
Structure: GS8500 range structure customized by Phoenix Contact
Weight: Approx.150g
Suitable Location: Mounting in safe area, and connected to the IS apparatus in zone 0/1/2, II C, II B, II A, T4~T6 hazardous area.
Suitable Field Apparatus: 2-wire or 3-wire RTD, TC, Potentiometer

Input Signal and Range

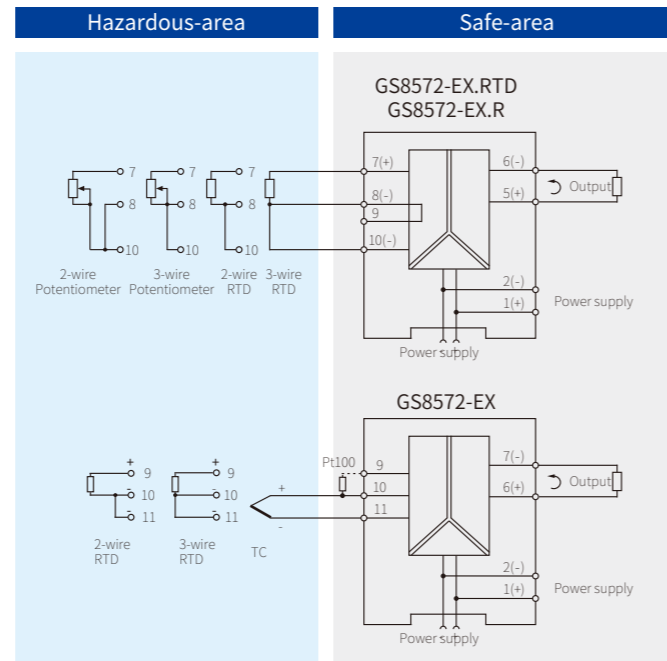
	Type	Range	Min.Span	Accuracy
TC	T	-200°C~+400°C	50°C	0.5°C / 0.1%
	E	-200°C~+900°C	50°C	0.5°C / 0.1%
	J	-200°C~+1200°C	50°C	0.5°C / 0.1%
	K	-200°C~+1372°C	50°C	0.5°C / 0.1%
	N	-200°C~+1300°C	50°C	0.5°C / 0.1%
	R	-40°C~+1768°C	500°C	1.5°C / 0.1%
	S	-40°C~+1768°C	500°C	1.5°C / 0.1%
	B	+320°C~+1820°C	500°C	1.5°C / 0.1%
RTD	Pt100	-200°C~+850°C	20°C	0.2°C / 0.1%
	Cu50	-50°C~+150°C	20°C	0.2°C / 0.1%
	Cu100	-50°C~+150°C	20°C	0.2°C / 0.1%
Potentiometer		0kΩ~5kΩ		0.1%
		0kΩ~10kΩ		0.1%

Note: 1、The “%” of conversion accuracy is relative to its range. Take the larger value between the range error and the absolute error when applying.
2、Allow a maximum wire resistance of 50Ω/line for RTD input(3-wire).
3、When the thermocouple is input, the conversion accuracy does not include the CJC. For every 100Ω increase in the compensation wire, the cold junction error increases by 0.2°C.
4、When the Type B thermocouple is input, the temperature range is required to be greater than 680 °C to ensure the accuracy index.



Dimensions:
118.9mm×106.0mm×17.5mm(GS8572-EX)
118.9mm×106.0mm×12.5mm(GS8572-EX.RTD/GS8572-EX.R)

Connection



Note: a) 2-wire connection cannot eliminate conductor resistance and error will increase
b) Bus-powered function is optional, if necessary please specified when ordering, and purchase bus power accessories in additional.

Explosion-proof Certificate

Certifying Authority: NEPSI(China)
Ex Marking: [Ex ia Ga] II C
Maximum Voltage: $U_m=250V$
Intrinsic Safety Parameters(7、8、9、10 terminals):
 $U_o=8.5V, I_o=20mA, P_o=43mW$
II C: $C_o=6.5\mu F, L_o=3.6mH$
II B: $C_o=60\mu F, L_o=10.8mH$
II A: $C_o=1000\mu F, L_o=28.8mH$

Temperature Input

1/1: GS8572-EX.TC

Temperature input isolated barriers, converter TC/mV signals in hazardous area into 0/4~20mA or 0/1~5V signals and output to safe area. It can be configured by computer. The product needs an independent power supply and galvanic isolation among power supply, input and output.

Specification

Supply Voltage: 20~35V DC
Current Consumption: ≤40mA (Supply voltage: 24V; Output: 20mA)
Safe-area Output:
Output Current: 0~20mA/4~20mA; Load resistance: $R_L \leq 300\Omega$
Output Voltage: 0~5V/1~5V; Load resistance: $R_L \geq 20k\Omega$
(Customers need specify current output or voltage output when ordering)

Hazardous-area Input:
Input Signal: please see the table 'Input Signal and Range'.
Temperature Drift: 0.01%F.S./°C
CJC: ±1°C(Compensation range: -20°C~+60°C)
Response Time(0~90%): ≤1s
Power Supply Protection: Power supply reverse protection
EMC: According to IEC 61326-1(GB/T 18268)
Ambient Temperature: -20°C~+60°C
Dielectric Strength:
Between non-intrinsically safe part and intrinsically safe part ≥2500V AC
Between power supply part and output part ≥500V AC
Insulation Resistance:
Between non-intrinsically safe part and intrinsically safe part ≥100MΩ
Between power supply part and output part ≥100MΩ
Structure: GS8500 range structure customized by Phoenix Contact
Weight: Approx.150g
Suitable Location: Mounting in safe area, and connected to the IS apparatus in zone 0/1/2, II C, II B, II A, T4~T6 hazardous area.
Suitable Field Apparatus: TC, mV signal

Input Signal and Range

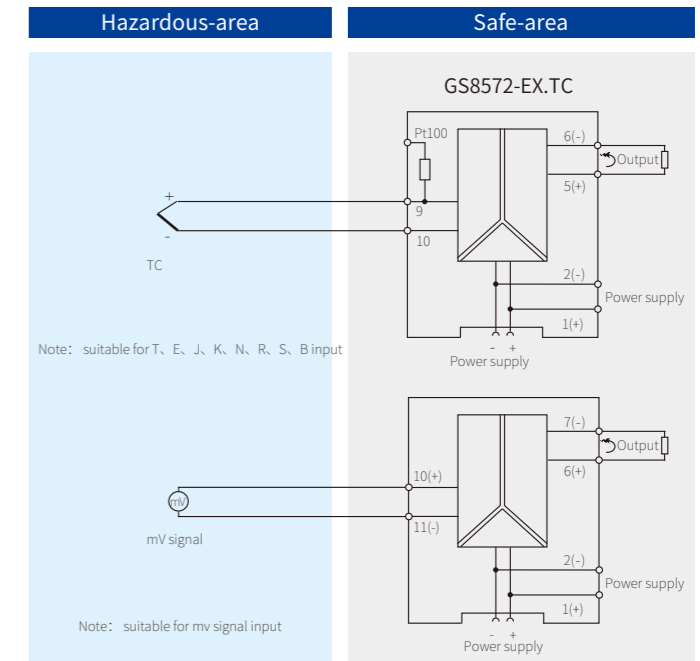
	Type	Range	Min.Span	Accuracy
TC	T	-200°C~+400°C	50°C	0.5°C / 0.1%
	E	-200°C~+900°C	50°C	0.5°C / 0.1%
	J	-200°C~+1200°C	50°C	0.5°C / 0.1%
	K	-200°C~+1372°C	50°C	0.5°C / 0.1%
	N	-200°C~+1300°C	50°C	0.5°C / 0.1%
	R	-40°C~+1768°C	500°C	1.5°C / 0.1%
	S	-40°C~+1768°C	500°C	1.5°C / 0.1%
	B	+320°C~+1820°C	500°C	1.5°C / 0.1%
mV signal		-100mV~+100mV	10mV	20uV / 0.1%

Note: 1、The “%” of conversion accuracy is relative to its range. Take the larger value between the range error and the absolute error when applying.
2、When the thermocouple is input, the conversion accuracy does not include the CJC. For every 100Ω increase in the compensation wire, the cold junction error increases by 0.2°C.
3、When the Type B thermocouple is input, the temperature range is required to be greater than 680 °C to ensure the accuracy index.
4、mV signal input needs to be customized.



Dimensions:
118.9mm×106.0mm×12.5mm(TC input)
118.9mm×106.0mm×17.5mm(mV input)

Connection



Note: Bus-powered function is optional, if necessary please specified when ordering, and purchase bus power accessories in additional.

Explosion-proof Certificate

Certifying Authority: NEPSI(China)
Ex Marking: [Ex ia Ga] II C
Maximum Voltage: $U_m=250V$
Intrinsic Safety Parameters(9、10、11 terminals):
 $U_o=8.5V, I_o=20mA, P_o=43mW$
II C: $C_o=6.5\mu F, L_o=3.6mH$
II B: $C_o=60\mu F, L_o=10.8mH$
II A: $C_o=1000\mu F, L_o=28.8mH$

Temperature Input(Loop Powered)

1/1: GS8577-EX
GS8577-EX.RTD / GS8577-EX.TC
2/2: GS8578-EX
GS8578-EX.RTD / GS8578-EX.TC

Temperature input isolated barriers, converter RTD/TC/mV signals in hazardous area into 0/4~20mA or 0/1~5V signals and output to safe area. It can be configured by computer. The input and output are each galvanically isolated, and this product is loop powered.

Specification

Loop Supply Voltage (Ue): 12~30V DC

Safe-area Output:

Output Current: 4~20mA

Load Resistance: $R_L \leq (U_e - 12) / 0.021 \Omega$

Hazardous-area Input:

Input Signal: please see the table 'Input Signal and Range'.

Temperature Drift: 0.01%F.S./°C

CJC: ±1°C(Compensation range: -20°C~+60°C)

Response Time(0~90%): ≤1s

Power Supply Protection: Power supply reverse protection

EMC: According to IEC 61326-1(GB/T 18268)

Ambient Temperature: -20°C~+60°C

Dielectric Strength:

Between non-intrinsically safe part and intrinsically safe part ≥2500V AC

Insulation Resistance:

Between non-intrinsically safe part and intrinsically safe part ≥100MΩ

Structure: GS8500 range structure customized by Phoenix Contact

Weight: Approx.150g

Suitable Location: Mounting in safe area, and connected to the IS apparatus in zone 0/1/2, II C, II B, II A, T4~T6 hazardous area.

Suitable Field Apparatus: 2-wire or 3-wire RTD, TC, mV signal

Input Signal and Range

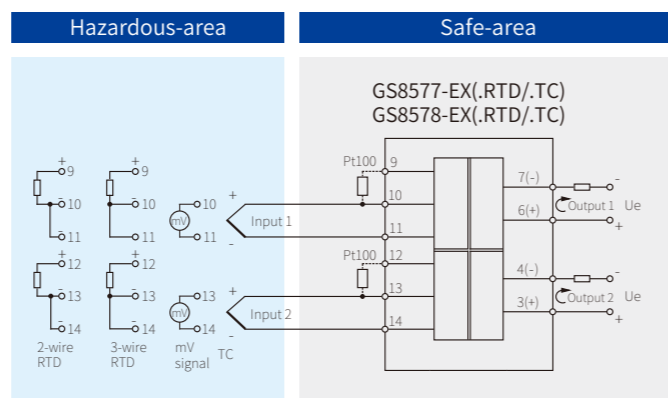
	Type	Range	Min.Span	Accuracy
TC	T	-200°C~+400°C	50°C	0.5°C / 0.1%
	E	-200°C~+900°C	50°C	0.5°C / 0.1%
	J	-200°C~+1200°C	50°C	0.5°C / 0.1%
	K	-200°C~+1372°C	50°C	0.5°C / 0.1%
	N	-200°C~+1300°C	50°C	0.5°C / 0.1%
	R	-40°C~+1768°C	500°C	1.5°C / 0.1%
	S	-40°C~+1768°C	500°C	1.5°C / 0.1%
B		+320°C~+1820°C	500°C	1.5°C / 0.1%
mV signal		-100mV~+100mV	10mV	20μV / 0.1%
RTD	Pt100	-200°C~+850°C	20°C	0.2°C / 0.1%
	Cu50	-50°C~+150°C	20°C	0.2°C / 0.1%
	Cu100	-50°C~+150°C	20°C	0.2°C / 0.1%

- Note: 1、The “%” of conversion accuracy is relative to its range. Take the larger value between the range error and the absolute error when applying.
2、Allow a maximum wire resistance of 50Ω/line for RTD input(3-wire).
3、When the thermocouple is input, the conversion accuracy does not include the CJC. For every 100Ω increase in the compensation wire, the cold junction error increases by 0.2°C.
4、When the Type B thermocouple is input, the temperature range is required to be greater than 680 °C to ensure the accuracy index.
5、mV signal input needs to be customized.



Dimensions: 118.9mm×106.0mm×17.5mm

Connection



Note: a) GS8577-EX only contains input1, output1.;
b) GS8577-EX/GS8578-EX: RTD, TC input;
c) GS8577-EX.RTD/GS8578-EX.RTD: RTD input;
d) GS8577-EX.TC/GS8578-EX.TC: TC, mV input.

Explosion-proof Certificate

Certifying Authority: NEPSI(China)

Ex Marking: [Ex ia Ga] II C
[Ex iaD]

Maximum Voltage: Um=250V

Intrinsic Safety Parameters(9、10、11; 12、13、14 terminals):

U_o=8.5V, I_o=20mA, P_o=43mW

II C: C_o=6.5μF, L_o=3.6mH

*II B: C_o=60μF, L_o=10.8mH

II A: C_o=1000μF, L_o=28.8mH

*II B Intrinsic Safety Parameters are also suitable for dust explosion protection[Ex iaD]

Resistance Input

1/1: GS8074-EX

Resistance input and output isolated barriers, transfer 2-wire, 3-wire resistance signal to the safe-area output. The product needs an independent power supply and galvanic isolation among power supply, input and output.

Specification

Supply Voltage: 20~35V DC

Current Consumption: ≤25mA(Supply voltage: 24V)

Safe-area Output:

Output signal: 60Ω~4kΩ(With input 1: 1)

Current range: 0.5mA~3mA(Input resistance at 2kΩ~4kΩ, current<1mA)

Hazardous-area Input:

Input Signal: 2-wire, 3-wire resistance signal

Signal range: 60Ω~4kΩ

Transmittion accuracy: 0.1%F.S. or 0.2Ω(Take larger value)

Temperature Drift: 0.01%F.S./°C

Response Time(0~90%): ≤5ms

Power Supply Protection: Power supply reverse protection

EMC: According to IEC 61326-1(GB/T 18268)

Ambient Temperature: -20°C~+60°C

Dielectric Strength:

Between non-intrinsically safe part and intrinsically safe part ≥2500V AC

Between power supply part and output part ≥500V AC

Insulation Resistance:

Between non-intrinsically safe part and intrinsically safe part ≥100MΩ

Between power supply part and output part ≥100MΩ

Weight: Approx.100g

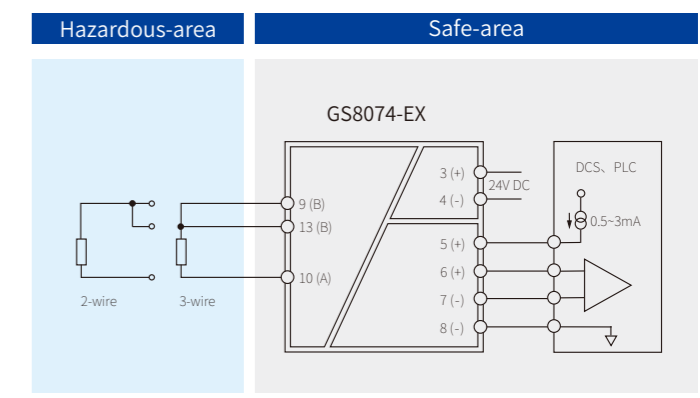
Suitable Location: Mounting in safe area, and connected to the IS apparatus in zone 0/1/2, II C, II B, II A, T4~T6 hazardous area.

Suitable Field Apparatus: 2-wire or 3-wire RTD, resistance signal

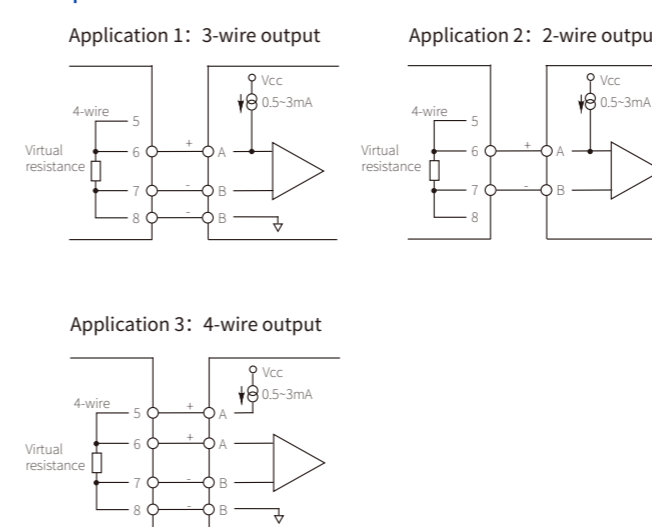


Dimensions: 114.5mm×99.0mm×22.5mm

Connection



Output connection



Explosion-proof Certificate

Certifying Authority: NEPSI(China)

Ex Marking: [Ex ia Ga] II C

Maximum Voltage: Um=250V

Intrinsic Safety Parameters(9、10、13、14、15 terminals):

U_o=11.7V, I_o=60mA, P_o=176mW

II C: C_o=1.54μF, L_o=9mH

II B: C_o=10.3μF, L_o=27mH

II A: C_o=41.0μF, L_o=72mH

1/1: GS8081-EX

mV signals input and output isolated barriers, transfer mV signals to the safe-area. The product needs an independent power supply and galvanic isolation among power supply, input and output. It is suitable for I/O cards with external CJC.

Specification

Supply Voltage: 20~35V DC

Current Consumption: ≤15mA(Supply voltage: 24V)

Safe-area Output:

Signal: -5mV~+60mV(Same with input 1: 1)

Internal impedance: <10Ω

Hazardous-area Input:

Signal: -5mV~+60mV

Internal impedance: >20MΩ

Transmission Accuracy: 0.03%F.S. or 18uV(Take larger value)

Temperature Drift: 0.01%F.S./°C

Response Time(0~90%): ≤5ms

Power Supply Protection: Power supply reverse protection

EMC: According to IEC 61326-1(GB/T 18268)

Ambient Temperature: -20°C~+60°C

Dielectric Strength:

Between non-intrinsically safe part and intrinsically safe part ≥2500V AC

Between power supply part and output part ≥500V AC

Insulation Resistance:

Between non-intrinsically safe part and intrinsically safe part ≥100MΩ

Between power supply part and output part ≥100MΩ

Weight: Approx.100g

Suitable Location: Mounting in safe area, and connected to the IS apparatus in zone 0/1/2, II C, II B, II A, T4~T6 hazardous area.

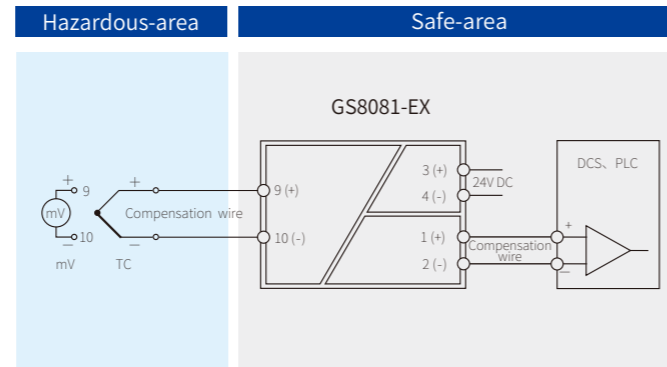
Suitable field apparatus: T, E, J, K, S, B, mV signal



Dimensions: 114.5mm×99.0mm×22.5mm



Connection



Explosion-proof Certificate

Certifying Authority: NEPSI(China)

Ex Marking: [Ex ia Ga] II C

Maximum Voltage: Um=250V

Intrinsic Safety Parameters(9、10 terminals):

U₀=8.5V, I₀=4mA, P₀=8.5mW

II C: C₀=6.5μF, L₀=1000mH

II B: C₀=60μF, L₀=1000mH

II A: C₀=1000μF, L₀=1000mH

1/1: GS8589-EX.11
2/2: GS8589-EX.22

Voltage signal input isolated barriers; provide the isolated power to the field instrument, and transfer DC voltage in hazardous area to safe-area. The product needs an independent power supply and galvanic isolation among power supply, input and output.

Specification

Supply Voltage: 20~35V DC

Current Consumption: (Supply voltage: 24V; Distribution power: 15V/20mA)

≤100mA(GS8589-EX.11)

≤130mA(GS8589-EX.22)

Safe-area Output:

Current: 0~20mA, 4~20mA

Load Resistance: R_L≤300Ω

Voltage: 0~5V, 1~5V, Load resistance: R_L≥35kΩ

0~10V, Load resistance: R_L≥20kΩ

Hazardous-area Input:

Voltage: 0~5V, 1~5V, 0~10V

Load Resistance: ≥300kΩ

Distribution power: 10V/20mA or 15V/20mA or none

Note: When the output of GS8589-EX.22 is current, the module do not support distribution power.

Transmission Accuracy: 0.1%F.S.

Temperature Drift: 0.01%F.S./°C

Response Time(0~90%): ≤0.1s

Power Supply Protection: Power supply reverse protection

EMC: According to IEC 61326-1(GB/T 18268)

Ambient Temperature: -20°C~+60°C

Dielectric Strength:

Between non-intrinsically safe part and intrinsically safe part ≥2500V AC

Between power supply part and output part ≥500V AC

Insulation Resistance:

Between non-intrinsically safe part and intrinsically safe part ≥100MΩ

Between power supply part and output part ≥100MΩ

Structure: GS8500 range structure customized by Phoenix contact

Weight: Approx.150g

Suitable Location: Mounting in safe area, and connected to the IS apparatus in zone 0/1/2, II C, II B, II A, T4~T6 hazardous area.

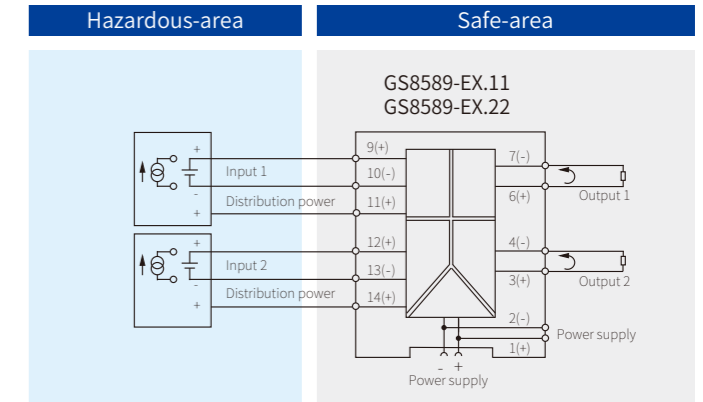
Suitable Field Apparatus: Voltage. current source output device



Dimensions: 118.9mm×106.0mm×17.5mm



Connection



Note: a) GS8589-EX.11 only contains input1 and output1

b) Bus-powered function is optional, if necessary please specified when ordering, and purchase bus power accessories in additional.

Explosion-proof Certificate

Certifying Authority: NEPSI(China)

Ex Marking: [Ex ia Ga] II C

Maximum Voltage: Um=250V

Intrinsic Safety Parameters(9、10; 12、13 terminals):

U₀=13.7V, I₀=8mA, P₀=28mW

II C: C₀=0.79μF, L₀=250mH

II B: C₀=5.0μF, L₀=750mH

II A: C₀=18.1μF, L₀=1000mH

(10、11; 13、14 terminals):

U₀=24.2V, I₀=143.8mA, P₀=870mW

II C: C₀=0.09μF, L₀=1.5mH

II B: C₀=0.70μF, L₀=4.5mH

II A: C₀=2.33μF, L₀=12mH

1/1: GS8592-EX.3

Communication signals input isolated barriers, realize the bi-direction communication of RS-232 digital signals between hazardous area and safe area. It also provides isolated power supply for field instruments. The product needs an independent power supply and galvanic isolation among power supply, input and output.

Specification

Supply Voltage: 20~35V DC

Current Consumption: $\leq 175\text{mA}$ (Supply voltage: 24V, distribution current: 100mA)

Safe-area:

- Signal: RS-232
- Transmission delay: $\leq 10\mu\text{s}$
- Transmission rate: $\leq 56\text{kbps}$

Hazardous-area:

- Signal: RS-232
- Distribution Power: 5V/100mA, 6V/100mA, 8V/50mA, 9V/50mA, 12V/50mA
- Distribution Voltage Deviation: $\pm 10\%$
- Function of the DIP Switches:

Distribution voltage	K1	K2	K3	K4
12V/50mA	OFF	OFF	OFF	OFF
9V/50mA	ON	OFF	OFF	OFF
8V/50mA	ON	ON	OFF	OFF
6V/100mA	ON	ON	ON	OFF
5V/100mA	ON	ON	ON	ON

Power Supply Protection: Power supply reverse protection

EMC: According to IEC 61326-1(GB/T 18268)

Ambient Temperature: $-20^{\circ}\text{C}\sim+60^{\circ}\text{C}$

Dielectric Strength:

- Between non-intrinsically safe part and intrinsically safe part $\geq 2500\text{V AC}$
- Between power supply part and output part $\geq 500\text{V AC}$

Insulation Resistance:

- Between non-intrinsically safe part and intrinsically safe part $\geq 100\text{M}\Omega$
- Between power supply part and output part $\geq 100\text{M}\Omega$

Structure: GS8500 range structure customized by Phoenix Contact

Weight: Approx.150g

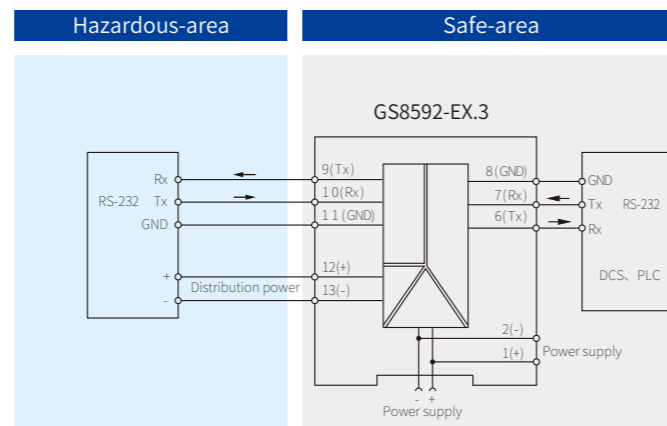
Suitable Location: Mounting in safe area, and connected to the IS apparatus in zone 0/1/2, II C, II B, II A, T4~T6 hazardous area.

Suitable Field Apparatus: With RS-232 communication interface device



Dimensions: 118.9mm×106.0mm×17.5mm

Connection



Note: Bus-powered function is optional, if necessary please specified when ordering, and purchase bus power accessories in additional.

Explosion-proof Certificate

Certifying Authority: NEPSI(China)

Ex Marking: [Ex ia Ga] II C

Maximum Voltage: $U_m=250\text{V}$

Intrinsic Safety Parameters(9, 11; 10, 11 terminals):

$U_o=11.7\text{V}$, $I_o=4.0\text{mA}$, $P_o=12\text{mW}$

(9, 10, 11 terminals):

$U_o=23.5\text{V}$, $I_o=8.5\text{mA}$, $P_o=50\text{mW}$

II C: $C_o=0.12\mu\text{F}$, $L_o=100\text{mH}$

II B: $C_o=0.97\mu\text{F}$, $L_o=300\text{mH}$

II A: $C_o=3.52\mu\text{F}$, $L_o=800\text{mH}$

(12, 13 terminals):

$U_o=23.1\text{V}$, $I_o=187\text{mA}$, $P_o=1.08\text{mW}$

II C: $C_o=0.1\mu\text{F}$, $L_o=0.8\text{mH}$

II B: $C_o=1.0\mu\text{F}$, $L_o=2.4\text{mH}$

II A: $C_o=3.6\mu\text{F}$, $L_o=6.4\text{mH}$

1/1: GS8595-EX.3

Communication signals input isolated barriers, realize the bi-direction communication between the RS-232 digital signals generated by the field instrument and the RS-485(full duplex) digital signals in the safe area. It also provides isolated power supply for field instruments. The product needs an independent power supply and galvanic isolation among power supply, input and output.

Specification

Supply Voltage: 20~35V DC

Current Consumption: $\leq 145\text{mA}$ (Supply voltage: 24V, distribution current: 100mA)

Safe-area:

- Signal: RS-485(full duplex)
- Transmission delay: $\leq 10\mu\text{s}$
- Signal transmission rate: $\leq 56\text{kbps}$

Hazardous-area:

- Signal: RS-232
- Distribution power: 5V/100mA, 6V/100mA, 8V/50mA, 9V/50mA, 12V/50mA
- Distribution Voltage Deviation: $\pm 10\%$
- Function of the DIP Switches:

Distribution voltage	K1	K2	K3	K4
12V/50mA	OFF	OFF	OFF	OFF
9V/50mA	ON	OFF	OFF	OFF
8V/50mA	ON	ON	OFF	OFF
6V/100mA	ON	ON	ON	OFF
5V/100mA	ON	ON	ON	ON

Power Supply Protection: Power supply reverse protection

EMC: According to IEC 61326-1(GB/T 18268)

Ambient Temperature: $-20^{\circ}\text{C}\sim+60^{\circ}\text{C}$

Dielectric Strength:

- Between non-intrinsically safe part and intrinsically safe part $\geq 2500\text{V AC}$
- Between power supply part and output part $\geq 500\text{V AC}$

Insulation Resistance:

- Between non-intrinsically safe part and intrinsically safe part $\geq 100\text{M}\Omega$
- Between power supply part and output part $\geq 100\text{M}\Omega$

Structure: GS8500 range structure customized by Phoenix Contact

Weight: Approx.150g

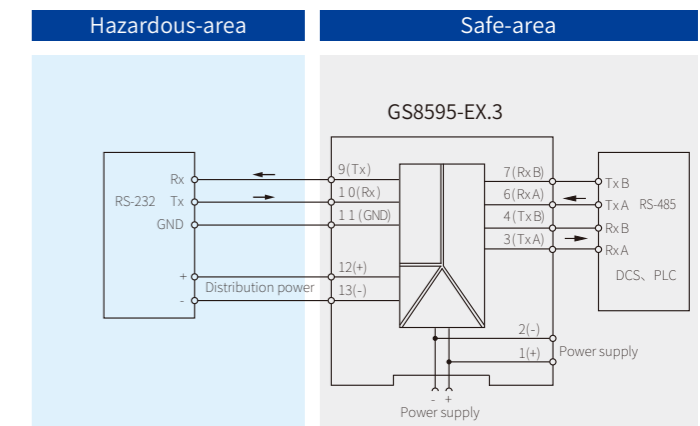
Suitable Location: Mounting in safe area, and connected to the IS apparatus in zone 0/1/2, II C, II B, II A, T4~T6 hazardous area.

Suitable Field Apparatus: With RS-232 communication interface device



Dimensions: 118.9mm×106.0mm×17.5mm

Connection



Note: Bus-powered function is optional, if necessary please specified when ordering, and purchase bus power accessories in additional.

Explosion-proof Certificate

Certifying Authority: NEPSI(China)

Ex Marking: [Ex ia Ga] II C

Maximum Voltage: $U_m=250\text{V}$

Intrinsic Safety Parameters(9, 11; 10, 11 terminals):

$U_o=11.7\text{V}$, $I_o=4.0\text{mA}$, $P_o=12\text{mW}$

(9, 10, 11 terminals):

$U_o=23.5\text{V}$, $I_o=8.5\text{mA}$, $P_o=50\text{mW}$

II C: $C_o=0.12\mu\text{F}$, $L_o=100\text{mH}$

II B: $C_o=0.97\mu\text{F}$, $L_o=300\text{mH}$

II A: $C_o=3.52\mu\text{F}$, $L_o=800\text{mH}$

(12, 13 terminals):

$U_o=23.1\text{V}$, $I_o=187\text{mA}$, $P_o=1.08\text{mW}$

II C: $C_o=0.1\mu\text{F}$, $L_o=0.8\text{mH}$

II B: $C_o=1.0\mu\text{F}$, $L_o=2.4\text{mH}$

II A: $C_o=3.6\mu\text{F}$, $L_o=6.4\text{mH}$

1/1: GS8599-EX.3

Communication signals input isolated barriers, realize the bi-direction communication between the RS-232 digital signals generated by the field instrument and the RS-485(half duplex) digital signals in the safe area. It also provides isolated power supply for field instruments. The product needs an independent power supply and galvanic isolation among power supply, input and output.

Specification

Supply Voltage: 20~35V DC

Current Consumption: ≤180mA(Supply voltage: 24V, distribution current: 100mA)

Safe-area:

- Signal: RS-485(half duplex)
- Transmission delay: ≤10μs
- Signal transmission rate: ≤56kbps

Hazardous-area:

- Signal: RS-232
- Distribution Power: 5V/100mA、6V/100mA、8V/50mA、9V/50mA、12V/50mA
- Distribution Voltage Deviation: ±10%
- Function of the DIP Switches:

Distribution voltage	K1	K2	K3	K4
12V/50mA	OFF	OFF	OFF	OFF
9V/50mA	ON	OFF	OFF	OFF
8V/50mA	ON	ON	OFF	OFF
6V/100mA	ON	ON	ON	OFF
5V/100mA	ON	ON	ON	ON

Power Supply Protection: Power supply reverse protection

EMC: According to IEC 61326-1(GB/T 18268)

Ambient Temperature: -20°C~+60°C

Dielectric Strength:

Between non-intrinsically safe part and intrinsically safe part ≥2500V AC

Between power supply part and output part ≥500V AC

Insulation Resistance:

Between non-intrinsically safe part and intrinsically safe part ≥100MΩ

Between power supply part and output part ≥100MΩ

Structure: GS8500 range structure customized by Phoenix Contact

Weight: Approx.150g

Suitable Location: Mounting in safe area, and connected to the IS

apparatus in zone 0/1/2, II C, II B, II A, T4~T6 hazardous area.

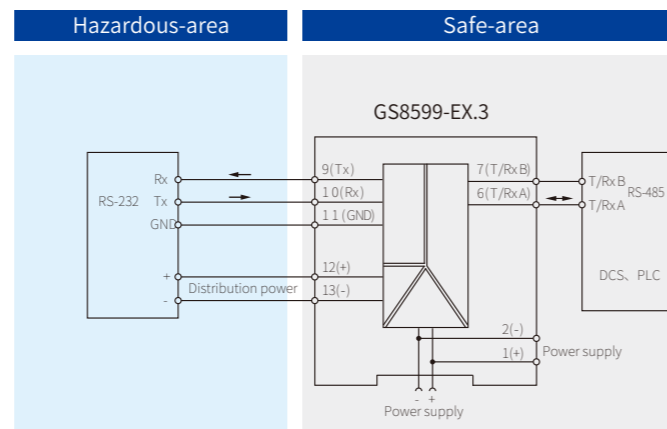
Suitable Field Apparatus: With RS-232 communication interface device



Dimensions: 118.9mm×106.0mm×17.5mm



Connection



Note: Bus-powered function is optional, if necessary please specified when ordering, and purchase bus power accessories in additional.

Explosion-proof Certificate

Certifying Authority: NEPSI(China)

Ex Marking: [Ex ia Ga] II C

Maximum Voltage: Um=250V

Intrinsic Safety Parameters(9、11; 10、11 terminals):

$U_o=11.7V, I_o=4.0mA, P_o=12mW$

(9、10、11 terminals):

$U_o=23.5V, I_o=8.5mA, P_o=50mW$

II C: $C_o=0.12\mu F, L_o=100mH$

II B: $C_o=0.97\mu F, L_o=300mH$

II A: $C_o=3.52\mu F, L_o=800mH$

(12、13 terminals):

$U_o=23.1V, I_o=187mA, P_o=1.08mW$

II C: $C_o=0.1\mu F, L_o=0.8mH$

II B: $C_o=1.0\mu F, L_o=2.4mH$

II A: $C_o=3.6\mu F, L_o=6.4mH$

1/1: GS8591-EX.3

Communication signals input isolated barriers, realize the bi-direction communication between the RS-485(half duplex) digital signals generated by the field instrument and the RS-485(full duplex) digital signals in the safe area. It also provides isolated power supply for field instruments. The product needs an independent power supply and galvanic isolation among power supply, input and output.

Specification

Supply Voltage: 20~35V DC

Current Consumption: ≤175mA(Supply voltage: 24V, Distribution current: 100mA)

Safe-area:

- Signal: RS-485(full duplex)
- Transmission delay: ≤10μs
- Signal transmission rate: ≤56kbps

Hazardous-area:

- Signal: RS-485(half duplex)
- Drive Ability: up to 32 transceivers
- Distribution Power: 5V/100mA、6V/100mA、8V/50mA、9V/50mA、12V/50mA
- Distribution Voltage Deviation: ±10%
- Function of the DIP Switches:

Distribution voltage	K1	K2	K3	K4
12V/50mA	OFF	OFF	OFF	OFF
9V/50mA	ON	OFF	OFF	OFF
8V/50mA	ON	ON	OFF	OFF
6V/100mA	ON	ON	ON	OFF
5V/100mA	ON	ON	ON	ON

Power Supply Protection: Power supply reverse protection

EMC: According to IEC 61326-1(GB/T 18268)

Ambient Temperature: -20°C~+60°C

Dielectric Strength:

Between non-intrinsically safe part and intrinsically safe part ≥2500V AC

Between power supply part and output part ≥500V AC

Insulation Resistance: Between non-intrinsically safe part and intrinsically safe part ≥100MΩ

Between power supply part and output part ≥100MΩ

Structure: GS8500 range structure customized by Phoenix Contact

Weight: Approx.150g

Suitable Location: Mounting in safe area, and connected to the IS

apparatus in zone 0/1/2, II C, II B, II A, T4~T6 hazardous area.

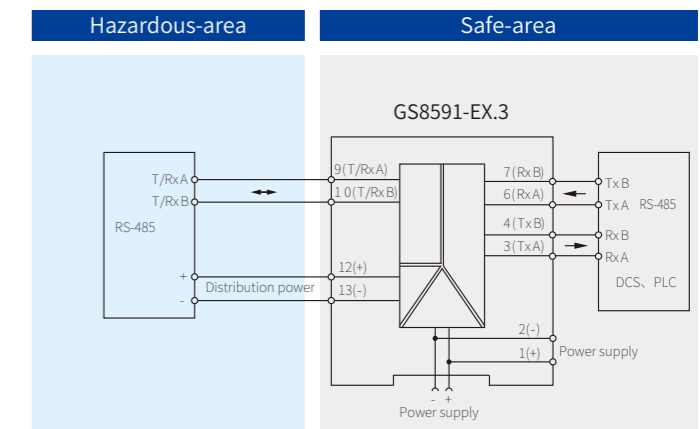
Suitable Field Apparatus: With RS-485 communication interface device



Dimensions: 118.9mm×106.0mm×17.5mm



Connection



Note: Bus-powered function is optional, if necessary please specified when ordering, and purchase bus power accessories in additional.

Explosion-proof Certificate

Certifying Authority: NEPSI(China)

Ex Marking: [Ex ia Ga] II C

Maximum Voltage: Um=250V

Intrinsic Safety Parameters(9、10 terminals):

$U_o=6.6V, I_o=65mA, P_o=110mW$

II C: $C_o=22\mu F, L_o=8mH$

II B: $C_o=500\mu F, L_o=24mH$

II A: $C_o=1000\mu F, L_o=64mH$

(12、13 terminals):

$U_o=23.1V, I_o=187mA, P_o=1.08mW$

II C: $C_o=0.1\mu F, L_o=0.8mH$

II B: $C_o=1.0\mu F, L_o=2.4mH$

II A: $C_o=3.6\mu F, L_o=6.4mH$

1/1: GS8593-EX.3

Communication signals input isolated barriers, realize the bi-direction communication of RS-485 digital signals between hazardous area and safe area. It also provides isolated power supply for field instruments. The product needs an independent power supply and galvanic isolation among power supply, input and output.

Specification

Supply Voltage: 20~35V DC

Current Consumption: $\leq 160\text{mA}$ (Supply voltage: 24V, Distribution current: 100mA)

Safe-area:

- Signal: RS-485(half duplex)
- Transmission delay: $\leq 10\mu\text{s}$
- Signal transmission rate: $\leq 56\text{kbps}$

Hazardous-area:

- Signal: RS-485(half duplex)
- Distribution Power: 5V/100mA, 6V/100mA, 8V/50mA, 9V/50mA, 12V/50mA
- Distribution Voltage Deviation: $\pm 10\%$
- Function of the DIP Switches:

Distribution voltage	K1	K2	K3	K4
12V/50mA	OFF	OFF	OFF	OFF
9V/50mA	ON	OFF	OFF	OFF
8V/50mA	ON	ON	OFF	OFF
6V/100mA	ON	ON	ON	OFF
5V/100mA	ON	ON	ON	ON

Power Supply Protection: Power supply reverse protection

EMC: According to IEC 61326-1(GB/T 18268)

Ambient Temperature: $-20^{\circ}\text{C}\sim+60^{\circ}\text{C}$

Dielectric Strength:

- Between non-intrinsically safe part and intrinsically safe part $\geq 2500\text{V AC}$
- Between power supply part and output part $\geq 500\text{V AC}$

Insulation Resistance:

- Between non-intrinsically safe part and intrinsically safe part $\geq 100\text{M}\Omega$
- Between power supply part and output part $\geq 100\text{M}\Omega$

Structure: GS8500 range structure customized by Phoenix Contact

Weight: Approx.150g

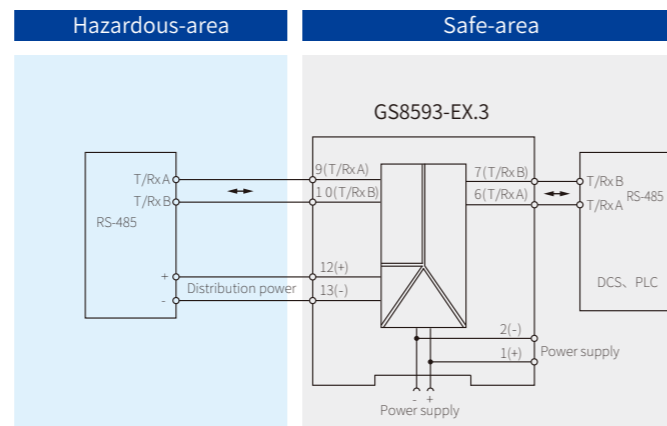
Suitable Location: Mounting in safe area, and connected to the IS apparatus in zone 0/1/2, II C, II B, II A, T4~T6 hazardous area.

Suitable Field Apparatus: With RS-485/RS-422 communication interface device



Dimensions: 118.9mm×106.0mm×17.5mm

Connection



Note: Bus-powered function is optional, if necessary please specified when ordering, and purchase bus power accessories in additional.

Explosion-proof Certificate

Certifying Authority: NEPSI(China)

Ex Marking: [Ex ia Ga] II C

Maximum Voltage: $U_m=250\text{V}$

Intrinsic Safety Parameters(9、10 terminals):

$U_o=6.6\text{V}$, $I_o=65\text{mA}$, $P_o=110\text{mW}$

II C: $C_o=22\mu\text{F}$, $L_o=8\text{mH}$

II B: $C_o=500\mu\text{F}$, $L_o=24\text{mH}$

II A: $C_o=1000\mu\text{F}$, $L_o=64\text{mH}$

(12、13 terminals):

$U_o=23.1\text{V}$, $I_o=187\text{mA}$, $P_o=1.08\text{mW}$

II C: $C_o=0.1\mu\text{F}$, $L_o=0.8\text{mH}$

II B: $C_o=1.0\mu\text{F}$, $L_o=2.4\text{mH}$

II A: $C_o=3.6\mu\text{F}$, $L_o=6.4\text{mH}$

1/1: GS8596-EX.3

Communication signals input isolated barriers, realize the bi-direction communication between the RS-485 digital signals generated by the field instrument and the RS-232 digital signals in the safe area. It also provides isolated power supply for field instruments. The product needs an independent power supply and galvanic isolation among power supply, input and output.

Specification

Supply Voltage: 20~35V DC

Current Consumption: $\leq 160\text{mA}$ (Supply voltage: 24V, Distribution current: 100mA)

Safe-area:

- Signal: RS-232
- Transmission delay: $\leq 10\mu\text{s}$
- Signal transmission rate: $\leq 56\text{kbps}$

Hazardous-area:

- Signal: RS-485(half duplex)
- Drive Ability: up to 32 transceivers
- Distribution Power: 5V/100mA, 6V/100mA, 8V/50mA, 9V/50mA, 12V/50mA
- Distribution Voltage Deviation: $\pm 10\%$
- Function of the DIP Switches:

Distribution voltage	K1	K2	K3	K4
12V/50mA	OFF	OFF	OFF	OFF
9V/50mA	ON	OFF	OFF	OFF
8V/50mA	ON	ON	OFF	OFF
6V/100mA	ON	ON	ON	OFF
5V/100mA	ON	ON	ON	ON

Power Supply Protection: Power supply reverse protection

EMC: According to IEC 61326-1(GB/T 18268)

Ambient Temperature: $-20^{\circ}\text{C}\sim+60^{\circ}\text{C}$

Dielectric Strength:

- Between non-intrinsically safe part and intrinsically safe part $\geq 2500\text{V AC}$
- Between power supply part and output part $\geq 500\text{V AC}$

Insulation Resistance:

- Between non-intrinsically safe part and intrinsically safe part $\geq 100\text{M}\Omega$
- Between power supply part and output part $\geq 100\text{M}\Omega$

Structure: GS8500 range structure customized by Phoenix Contact

Weight: Approx.150g

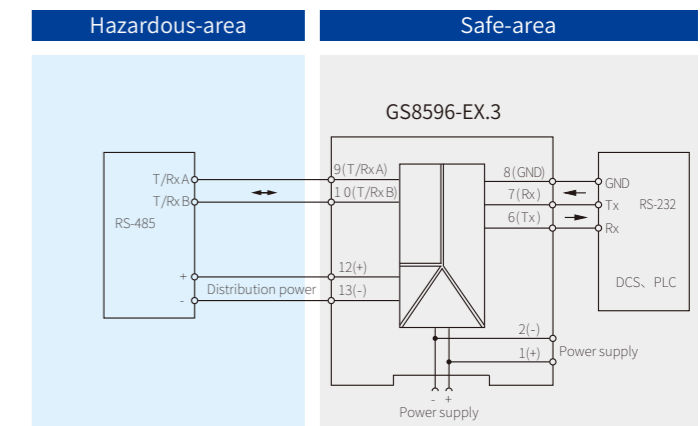
Suitable Location: Mounting in safe area, and connected to the IS apparatus in zone 0/1/2, II C, II B, II A, T4~T6 hazardous area.

Suitable Field Apparatus: With RS-485/RS-422 communication interface device



Dimensions: 118.9mm×106.0mm×17.5mm

Connection



Note: Bus-powered function is optional, if necessary please specified when ordering, and purchase bus power accessories in additional.

Explosion-proof Certificate

Certifying Authority: NEPSI(China)

Ex Marking: [Ex ia Ga] II C

Maximum Voltage: $U_m=250\text{V}$

Intrinsic Safety Parameters(9、10 terminals):

$U_o=6.6\text{V}$, $I_o=65\text{mA}$, $P_o=110\text{mW}$

II C: $C_o=22\mu\text{F}$, $L_o=8\text{mH}$

II B: $C_o=500\mu\text{F}$, $L_o=24\text{mH}$

II A: $C_o=1000\mu\text{F}$, $L_o=64\text{mH}$

(12、13 terminals):

$U_o=23.1\text{V}$, $I_o=187\text{mA}$, $P_o=1.08\text{mW}$

II C: $C_o=0.1\mu\text{F}$, $L_o=0.8\text{mH}$

II B: $C_o=1.0\mu\text{F}$, $L_o=2.4\text{mH}$

II A: $C_o=3.6\mu\text{F}$, $L_o=6.4\text{mH}$

1/1: GS8594-EX.3

Communication signals input isolated barriers, realize the bi-direction communication between the RS-485(full duplex) digital signals generated by the field instrument and the RS-232(half duplex) digital signals in the safe area. It also provides isolated power supply for field instruments. The product needs an independent power supply and galvanic isolation among power supply, input and output.

Specification

Supply Voltage: 20~35V DC

Current Consumption: ≤160mA(Supply voltage: 24V, Distribution current: 100mA)

Safe-area:

Signal: RS-232
Transmission delay: ≤10μs
Signal transmission rate: ≤56kbps

Hazardous-area:

Signal: RS-485(full duplex)
Distribution Power: 5V/100mA、6V/100mA、8V/50mA、9V/50mA、12V/50mA
Distribution Voltage Deviation: ±10%
Function of the DIP Switches:

Distribution voltage	K1	K2	K3	K4
12V/50mA	OFF	OFF	OFF	OFF
9V/50mA	ON	OFF	OFF	OFF
8V/50mA	ON	ON	OFF	OFF
6V/100mA	ON	ON	ON	OFF
5V/100mA	ON	ON	ON	ON

Power Supply Protection: Power supply reverse protection

EMC: According to IEC 61326-1(GB/T 18268)

Ambient Temperature: -20°C~+60°C

Dielectric Strength:

Between non-intrinsically safe part and intrinsically safe part ≥2500V AC

Between power supply part and output part ≥500V AC

Insulation Resistance:

Between non-intrinsically safe part and intrinsically safe part ≥100MΩ

Between power supply part and output part ≥100MΩ

Structure: GS8500 range structure customized by Phoenix Contact

Weight: Approx.150g

Suitable Location: Mounting in safe area, and connected to the IS apparatus in zone 0/1/2, II C, II B, II A, T4~T6 hazardous area.

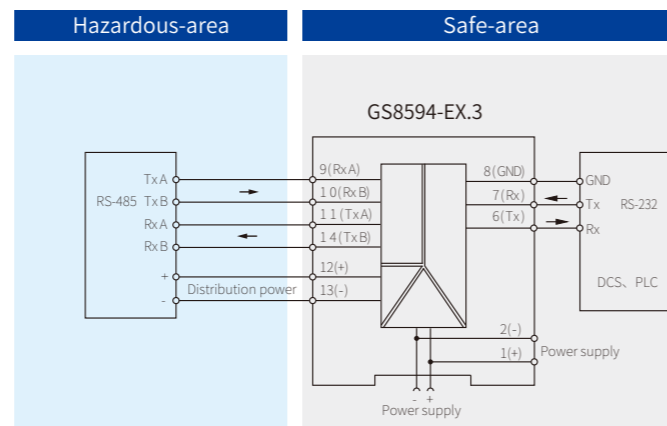
Suitable Field Apparatus: With RS-485/RS-422 communication interface device



Dimensions: 118.9mm×106.0mm×17.5mm



Connection



Note: Bus-powered function is optional, if necessary please specified when ordering, and purchase bus power accessories in additional.

Explosion-proof Certificate

Certifying Authority: NEPSI(China)

Ex Marking: [Ex ia Ga] II C

Maximum Voltage: Um=250V

Intrinsic Safety Parameters(9、10; 11、14 terminals):

U₀=6.6V, I₀=65mA, P₀=110mW

II C: C₀=22μF, L₀=8mH

II B: C₀=500μF, L₀=24mH

II A: C₀=1000μF, L₀=64mH

(12、13 terminals):

U₀=23.1V, I₀=187mA, P₀=1.08mW

II C: C₀=0.1μF, L₀=0.8mH

II B: C₀=1.0μF, L₀=2.4mH

II A: C₀=3.6μF, L₀=6.4mH

1/1: GS8597-EX.3

Communication signals input isolated barriers, realize the bi-direction communication between the RS-485(full duplex) digital signals generated by the field instrument and the RS-485(half duplex) digital signals in the safe area. It also provides isolated power supply for field instruments. The product needs an independent power supply and galvanic isolation among power supply, input and output.

Specification

Supply Voltage: 20~35V DC

Current Consumption: ≤160mA(Supply voltage: 24V, Distribution current: 100mA)

Safe-area:

Signal: RS-485(half duplex)
Transmission delay: ≤10μs
Signal transmission rate: ≤56kbps

Hazardous-area:

Signal: RS-485(full duplex)
Drive Ability: up to 32 transceivers
Distribution Power: 5V/100mA、6V/100mA、8V/50mA、9V/50mA、12V/50mA

Distribution Voltage Deviation: ±10%

Function of the DIP Switches:

Distribution voltage	K1	K2	K3	K4
12V/50mA	OFF	OFF	OFF	OFF
9V/50mA	ON	OFF	OFF	OFF
8V/50mA	ON	ON	OFF	OFF
6V/100mA	ON	ON	ON	OFF
5V/100mA	ON	ON	ON	ON

Power Supply Protection: Power supply reverse protection

EMC: According to IEC 61326-1(GB/T 18268)

Ambient Temperature: -20°C~+60°C

Dielectric Strength:

Between non-intrinsically safe part and intrinsically safe part ≥2500V AC

Between power supply part and output part ≥500V AC

Insulation Resistance:

Between non-intrinsically safe part and intrinsically safe part ≥100MΩ

Between power supply part and output part ≥100MΩ

Structure: GS8500 range structure customized by Phoenix Contact

Weight: Approx.150g

Suitable Location: Mounting in safe area, and connected to the IS apparatus in zone 0/1/2, II C, II B, II A, T4~T6 hazardous area.

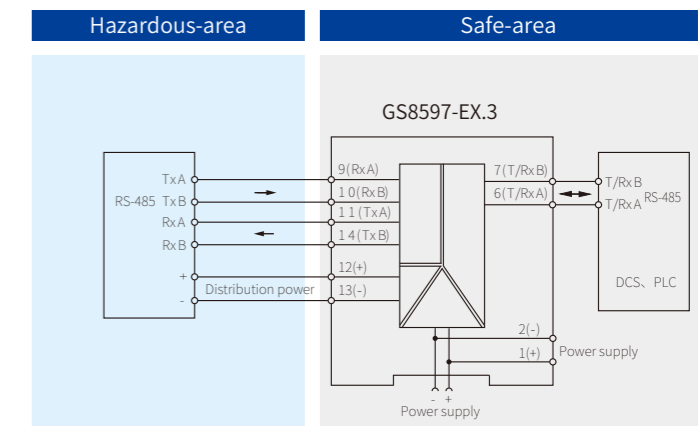
Suitable Field Apparatus: With RS-485/RS-422 communication interface device



Dimensions: 118.9mm×106.0mm×17.5mm



Connection



Note: Bus-powered function is optional, if necessary please specified when ordering, and purchase bus power accessories in additional.

Explosion-proof Certificate

Certifying Authority: NEPSI(China)

Ex Marking: [Ex ia Ga] II C

Maximum Voltage: Um=250V

Intrinsic Safety Parameters(9、10; 11、14 terminals):

U₀=6.6V, I₀=65mA, P₀=110mW

II C: C₀=22μF, L₀=8mH

II B: C₀=500μF, L₀=24mH

II A: C₀=1000μF, L₀=64mH

(12、13 terminals):

U₀=23.1V, I₀=187mA, P₀=1.08mW

II C: C₀=0.1μF, L₀=0.8mH

II B: C₀=1.0μF, L₀=2.4mH

II A: C₀=3.6μF, L₀=6.4mH

1/1: GS8598-EX.3

Communication signals input isolated barriers, realize the bi-direction communication of RS-485(full duplex) digital signals between hazardous area and safe area. It also provides isolated power supply for field instruments. The product needs an independent power supply and galvanic isolation among power supply, input and output.

Specification

Supply Voltage: 20~35V DC

Current Consumption: $\leq 140\text{mA}$ (Supply voltage: 24V, Distribution current: 100mA)

Safe-area:

- Signal: RS-485(full duplex)
- Transmission delay: $\leq 10\mu\text{s}$
- Signal transmission rate: $\leq 56\text{kbps}$

Hazardous-area:

- Signal: RS-485(full duplex)
- Distribution Power: 5V/100mA、6V/100mA、8V/50mA、9V/50mA、12V/50mA
- Distribution Voltage Deviation: $\pm 10\%$
- Function of the DIP Switches:

Distribution voltage	K1	K2	K3	K4
12V/50mA	OFF	OFF	OFF	OFF
9V/50mA	ON	OFF	OFF	OFF
8V/50mA	ON	ON	OFF	OFF
6V/100mA	ON	ON	ON	OFF
5V/100mA	ON	ON	ON	ON

Power Supply Protection: Power supply reverse protection

EMC: According to IEC 61326-1(GB/T 18268)

Ambient Temperature: $-20^{\circ}\text{C}\sim+60^{\circ}\text{C}$

Dielectric Strength:

Between non-intrinsically safe part and intrinsically safe part $\geq 2500\text{V AC}$
Between power supply part and output part $\geq 500\text{V AC}$

Insulation Resistance:

Between non-intrinsically safe part and intrinsically safe part $\geq 100\text{M}\Omega$
Between power supply part and output part $\geq 100\text{M}\Omega$

Structure: GS8500 range structure customized by Phoenix Contact

Weight: Approx.150g

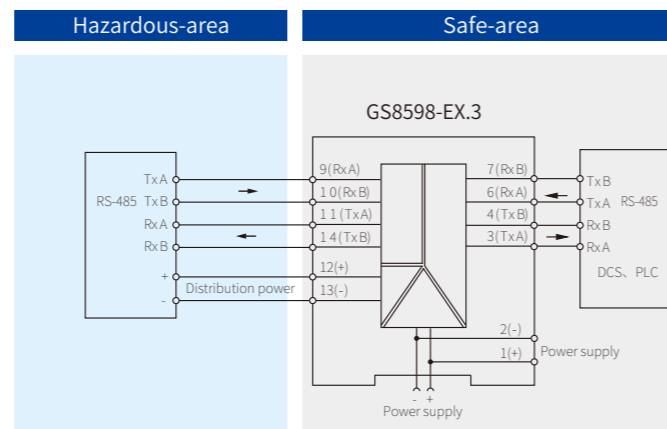
Suitable Location: Mounting in safe area, and connected to the IS apparatus in zone 0/1/2, II C, II B, II A, T4~T6 hazardous area.

Suitable Field Apparatus: With RS-485/RS-422 communication interface device



Dimensions: 118.9mm×106.0mm×17.5mm

Connection



Note: Bus-powered function is optional, if necessary please specified when ordering, and purchase bus power accessories in additional.

Explosion-proof Certificate

Certifying Authority: NEPSI(China)

Ex Marking: [Ex ia Ga] II C

Maximum Voltage: $U_m=250\text{V}$

Intrinsic Safety Parameters(9、10; 11, 14 terminals):

II C: $U_o=6.6\text{V}$, $I_o=65\text{mA}$, $P_o=110\text{mW}$

II C: $C_o=22\mu\text{F}$, $L_o=8\text{mH}$

II B: $C_o=500\mu\text{F}$, $L_o=24\text{mH}$

II A: $C_o=1000\mu\text{F}$, $L_o=64\text{mH}$

(12、13 terminals):

II C: $U_o=23.1\text{V}$, $I_o=187\text{mA}$, $P_o=1.08\text{mW}$

II C: $C_o=0.1\mu\text{F}$, $L_o=0.8\text{mH}$

II B: $C_o=1.0\mu\text{F}$, $L_o=2.4\text{mH}$

II A: $C_o=3.6\mu\text{F}$, $L_o=6.4\text{mH}$

1/1: GS8593B-EX

Communication signals input isolated barriers, realize the bi-direction communication of RS-485(half duplex) digital signals between hazardous area and safe area. It also provides isolated power supply for field instruments. The product needs an independent power supply and galvanic isolation among power supply, input and output.

Specification

Supply Voltage: 20~35V DC

Current Consumption: $\leq 160\text{mA}$ (Supply voltage: 24V, Distribution power: 9V/140mA)

Safe-area:

- Signal: RS-485(half duplex)
- Transmission delay: $\leq 10\mu\text{s}$
- Signal transmission rate: $\leq 56\text{kbps}$

Hazardous-area:

- Signal: RS-485(half duplex)
- Drive Ability: up to 32 transceivers
- Distribution Power: Open-circuit voltage $\leq 17\text{V}$
Distribution voltage: $9\text{V}\pm 10\%$ at 140mA

Power Supply Protection: Power supply reverse protection

EMC: According to IEC 61326-1(GB/T 18268)

Ambient Temperature: $-20^{\circ}\text{C}\sim+60^{\circ}\text{C}$

Dielectric Strength:

Between non-intrinsically safe part and intrinsically safe part $\geq 2500\text{V AC}$
Between power supply part and output part $\geq 500\text{V AC}$

Insulation Resistance:

Between non-intrinsically safe part and intrinsically safe part $\geq 100\text{M}\Omega$
Between power supply part and output part $\geq 100\text{M}\Omega$

Structure: GS8500 range structure customized by Phoenix Contact

Weight: Approx.150g

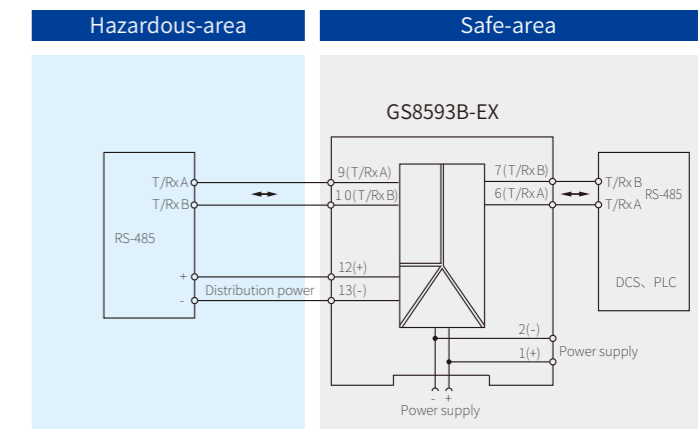
Suitable Location: Mounting in safe area, and connected to the IS apparatus in zone 0/1/2, II C, II B, II A, T4~T6 hazardous area.

Suitable Field Apparatus: With RS-485/RS-422 communication interface device



Dimensions: 118.9mm×106.0mm×17.5mm

Connection



Note: Bus-powered function is optional, if necessary please specified when ordering, and purchase bus power accessories in additional.

Explosion-proof Certificate

Certifying Authority: NEPSI(China)

Ex Marking: [Ex ia Ga] II C

Maximum Voltage: $U_m=250\text{V}$

Intrinsic Safety Parameters(9、10 terminals):

II C: $U_o=6.6\text{V}$, $I_o=65\text{mA}$, $P_o=110\text{mW}$

II C: $C_o=22\mu\text{F}$, $L_o=8\text{mH}$

II B: $C_o=500\mu\text{F}$, $L_o=24\text{mH}$

II A: $C_o=1000\mu\text{F}$, $L_o=64\text{mH}$

(12、13 terminals):

II C: $U_o=17.22\text{V}$, $I_o=430\text{mA}$, $P_o=2.1\text{mW}$

II C: $C_o=0.333\mu\text{F}$, $L_o=151.7\text{mH}$

II B: $C_o=1.93\mu\text{F}$, $L_o=455.1\text{mH}$

II A: $C_o=8.1\mu\text{F}$, $L_o=1213.6\text{mH}$

Vibration Transducer

1/1: GS8557-EX

Vibration transducer input isolated barriers, provide isolated power supply for the transmitters in hazardous area and transfer the 1: 1 negative voltage signals, which vibration transducer outputs in hazardous area, to safe area. It can transmit AC and DC signals. This product needs an independent power supply and galvanic isolation among power supply, input and output.

Specification

Supply Voltage: 20~35V DC

Current Consumption:

≤65mA(Supply voltage: 24V, distribution current: 20mA)

Safe-area Output:

Signal: -20V~-0.5V

Load Resistance: $R_L \geq 20k\Omega$

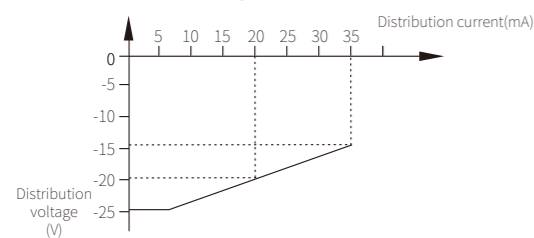
Hazardous-area Input:

Signal: -20V~-0.5V

Input impedance: 10kΩ

Distribution Power: Open-circuit voltage > -25V

Distribution Voltage: ≤-19.5V at 20mA



DC Transmissiton accuracy: < ±50mV

AC Transmissiton accuracy:

0Hz~1kHz ±1%
1kHz~10kHz -2%~+1%
10kHz~20kHz -5%~+1%

Phase response : Less than 1us is equals to

-0.72° 200Hz
-2° 600Hz
-3.6° 1kHz
-36° 10kHz
-72° 20kHz

Bandwidth(-3dB): ≥50kHz

Temperature Drift: 0.01%/°C(-20°C~+60°C)

Power Supply Protection: Power supply reverse protection

EMC: According to IEC 61326-1(GB/T 18268)

Ambient Temperature: -20°C~+60°C

Dielectric Strength:

Between non-intrinsically safe part and intrinsically safe part ≥2500V AC

Between power supply part and output part ≥500V AC

Insulation Resistance:

Between non-intrinsically safe part and intrinsically safe part ≥100MΩ

Between power supply part and output part ≥100MΩ

Structure: GS8500 range structure customized by Phoenix Contact

Weight: Approx.100g

Suitable Location: Mounting in safe area, and connected to the IS apparatus in zone 0/1/2, II C, II B, II A, T4~T6 hazardous area.

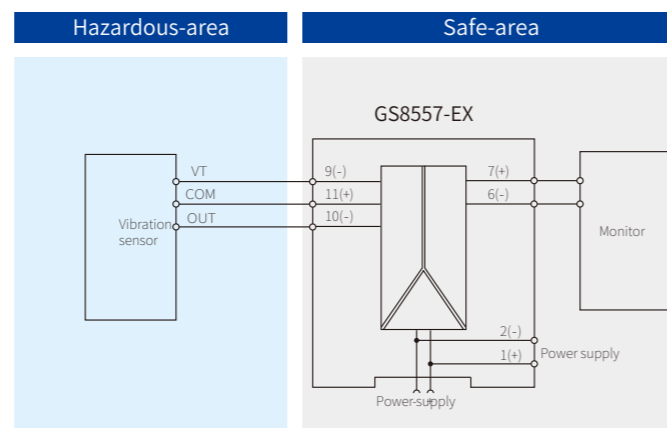
Suitable Field Apparatus: Vibration transducer, Negative voltage generator



Dimensions: 118.9mm×106.0mm×17.5mm



Connection



Note: Bus-powered function is optional, if necessary please specified when ordering, and purchase bus power accessories in additional.

Explosion-proof Certificate

Certifying Authority: NEPSI(China)

Ex Marking: [Ex ia Ga] II C

Maximum Voltage: Um=250V

Intrinsic Safety Parameters(9、 10、 11 terminals):

$U_0=26.5V, I_0=93mA, P_0=687mW$

II C: $C_0=0.095\mu F, L_0=4.2mH$

II B: $C_0=0.73\mu F, L_0=12.6mH$

II A: $C_0=2.45\mu F, L_0=33.6mH$

Vibration Transducer

1/1: GS8558-EX

Vibration transducer input isolated barriers, transfer the 1: 1 voltage signals, which vibration transducer outputs in hazardous area, to safe area. It can transmit AC and DC signals. This product needs an independent power supply and galvanic isolation among power supply, input and output.

Specification

Supply Voltage: 20~35V DC

Current Consumption: ≤40mA

Safe-area Output:

Signal: -10V~+10V

Load Resistance: $R_L \geq 20k\Omega$

Hazardous-area Input:

Signal: -10V~+10V

Internal impedance: 10kΩ

DC Transmissiton accuracy: < ±0.2%F.S.

AC Transmissiton accuracy:

0Hz~600Hz ±0.2%F.S.
600Hz~10kHz -1.5%~+0.2%F.S.

Phase response : Less than 1us is equals to

-0.72° 200Hz
-2° 600Hz
-3.6° 1kHz
-36° 10kHz

Bandwidth(-3dB): ≥40kHz

Temperature Drift: 0.005%/°C(-20°C~+60°C)

Power Supply Protection: Power supply reverse protection

EMC: According to IEC 61326-1(GB/T 18268)

Ambient Temperature: -20°C~+60°C

Dielectric Strength:

Between non-intrinsically safe part and intrinsically safe part ≥2500V AC

Between power supply part and output part ≥500V AC

Insulation Resistance:

Between non-intrinsically safe part and intrinsically safe part ≥100MΩ

Between power supply part and output part ≥100MΩ

Structure: GS8500 range structure customized by Phoenix Contact

Weight: Approx.100g

Suitable Location: Mounting in safe area, and connected to the IS apparatus in zone 0/1/2, II C, II B, II A, T4~T6 hazardous area.

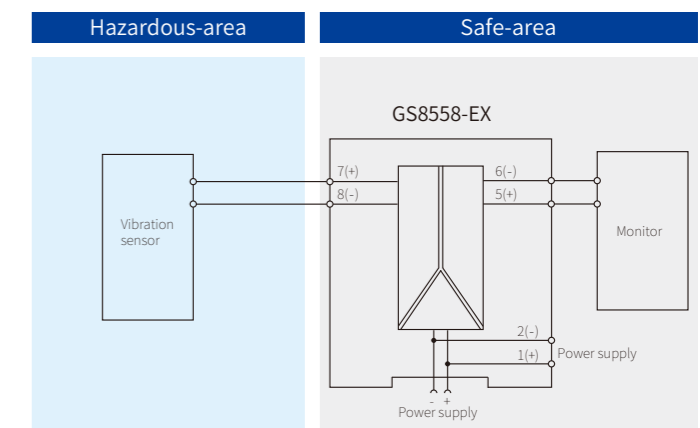
Suitable Field Apparatus: Vibration transducer



Dimensions: 118.9mm×106.0mm×12.5mm



Connection



Note: Bus-powered function is optional, if necessary please specified when ordering, and purchase bus power accessories in additional.

Explosion-proof Certificate

Certifying Authority: NEPSI(China)

Ex Marking: [Ex ia Ga] II C

Maximum Voltage: Um=250V

Intrinsic Safety Parameters(7、 8 terminals):

$U_0=1.2V, I_0=0.2mA, P_0=0.06mW$

II C: $C_0=100\mu F, L_0=100mH$

II B: $C_0=300\mu F, L_0=300mH$

II A: $C_0=800\mu F, L_0=800mH$

1/1: GS8555-EX

Frequency converter isolated barrier, change the digital input signal in the hazardous area into a proportional free adjustable 0/4~20mA(or 0/1~5V) analog output signal and function as a trip alarm. The product needs an independent power supply and galvanic isolation among power supply, input and output.

Specification

Supply Voltage: 20~35V DC

Current Consumption: ≤60mA(Supply voltage: 24V, Output current: 20mA, Relay: energized)

Safe-area Output:

- Current: 0~20mA, 4~20mA
- Load resistance ≤400Ω
- Voltage: 0~5V, 1~5V
- Load resistance ≥300kΩ

(Note: Customers need to specify current output or voltage output when ordering)

Safe-area Relay Characteristics:

- Response Time: ≤20ms
- Contact Loading: 250V AC,2A or 30V DC,2A
- Load Type: Resistive load

Hazardous-area Input:

- Signal Type:
- 3-wire PNP/NPN Sensor Input:
 - Sensor Distribution: 14V, current <20mA
 - Input Frequency: 0.1Hz~100kHz
 - Frequency Signal Input:
 - Input Frequency: 0.1Hz~100kHz
 - Max. Input Voltage: 30Vp-p
 - Min. Input voltage: $\sqrt{2}$ V, (2Hz~100kHz)
 - Dry Contact or Proximity Switch Input:
 - Distribution Voltage: ≈8V, Short-circuit current: ≈8mA
 - Input Frequency: 0.1Hz~100kHz

Pulse Width: ≥2μs

Temperature Drift: 0.1%F.S.

Temperature Drift: 0.01%F.S./°C

Power Supply Protection: Power supply reverse protection

EMC: According to IEC 61326-1(GB/T 18268)

Ambient Temperature: -20°C~+60°C

Dielectric Strength:

Between non-intrinsically safe part and intrinsically safe part ≥2500V AC

Between power supply part and output part ≥500V AC

Insulation Resistance:

Between non-intrinsically safe part and intrinsically safe part ≥100MΩ

Between power supply part and output part ≥100MΩ

Structure: GS8500 range structure customized by Phoenix Contact

Weight: Approx.150g

Suitable Location: Mounting in safe area, and connected to the IS apparatus in zone 0/1/2, II C, II B, II A, T4~T6 hazardous area.

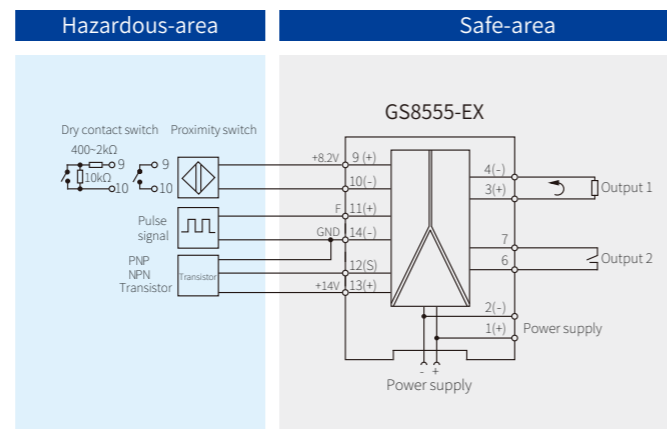
Suitable Field Apparatus: Dry contact or DIN19234 standard NAMUR proximity switch input field devices (including the intrinsically safe type pressure switch, temperature switches, liquid level switches, etc.), voltage pulse, 3-wire PNP/NPN sensor output, incremental encoder.



Dimensions: 118.9mm×106.0mm×17.5mm



Connection



Explosion-proof Certificate

Certifying Authority: NEPSI(China)

Ex Marking: [Ex ia Ga] II C

Maximum Voltage: Um=250V

Intrinsic Safety Parameters(9、10 terminals):

U₀=10.5V, I₀=14mA, P₀=37mW

II C: C₀=2.4μF, L₀=165mH

II B: C₀=16.8μF, L₀=495mH

II A: C₀=75.0μF, L₀=1000mH

(11、14 terminals):

U₀=14V, I₀=8mA, P₀=28mW

II C: C₀=0.73μF, L₀=150mH

II B: C₀=4.60μF, L₀=450mH

II A: C₀=17.0μF, L₀=1000mH

(12、13、14 terminals):

U₀=17V, I₀=330mA, P₀=1.4mW

II C: C₀=0.375μF, L₀=0.22mH

II B: C₀=2.20μF, L₀=0.66mH

II A: C₀=9.0μF, L₀=1.76mH

1/3: GS8355-EX

Frequency converter isolated barriers, change the digital input signal in the hazardous area into a proportional free adjustable 0/4~20mA(or 0/1~5V) analog output signal and function as a trip alarm. The user can set the instrument parameters through the 3 buttons on the panel, and the 5-digit 7-segment LCD displays the measured value and the instrument parameter setting value. The product needs an independent power supply and galvanic isolation among power supply, input and output.

Specification

Supply Voltage: 20~35V DC

Current Consumption: ≤110mA(Supply voltage: 24V, Output current: 20mA, Relay: energized)

Safe-area Output:

- Current: 0~20mA, 4~20mA
- Load resistance ≤400Ω
- Voltage: 0~5V, 1~5V
- Load resistance ≥300kΩ

(Note: Customers need to specify output signal when ordering)

Safe-area Relay Characteristics:

- Response Time: ≤20ms
- Contact Loading: 250V AC,2A or 30V DC,2A
- Load Type: Resistive load

Hazardous-area Input:

- Signal Type:
- 3-wire PNP/NPN Sensor Input:
 - Sensor Distribution: 14V, Current <20mA
 - Input Frequency: 0.1Hz~100kHz
 - Frequency Signal Input:
 - Input Frequency: 0.1Hz~100kHz
 - Max. Input Voltage: 30Vp-p
 - Min. Input voltage: $\sqrt{2}$ V, (2Hz~100kHz)
 - Dry Contact or Proximity Switch Input:
 - Distribution Voltage: ≈8V, Short-circuit current: ≈8mA
 - Input Frequency: 0.1Hz~100kHz

Pulse Width: ≥2μs

Transmission Accuracy: 0.1%F.S.

Temperature Drift: 0.01%F.S./°C

Power Supply Protection: Power supply reverse protection

EMC: According to IEC 61326-1(GB/T 18268)

Ambient Temperature: -20°C~+60°C

Dielectric Strength:

Between non-intrinsically safe part and intrinsically safe part ≥2500V AC

Between power supply part and output part ≥500V AC

Insulation Resistance:

Between non-intrinsically safe part and intrinsically safe part ≥100MΩ

Between power supply part and output part ≥100MΩ

Weight: Approx.350g

Suitable Location: Mounting in safe area, and connected to the IS apparatus in zone 0/1/2, II C, II B, II A, T4~T6 hazardous area.

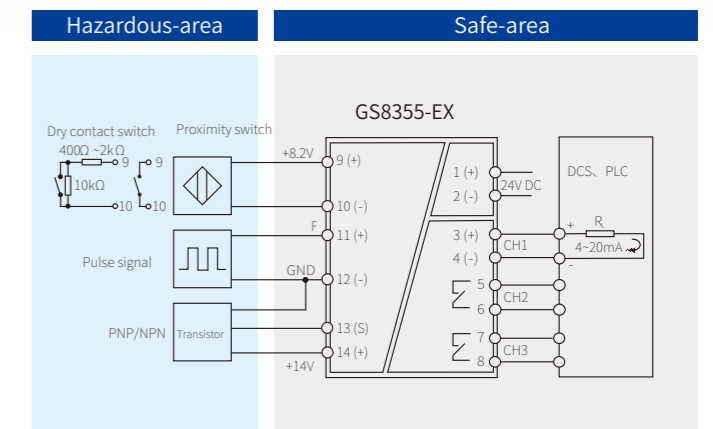
Suitable Field Apparatus: Dry contact or DIN19234 standard NAMUR proximity switch input field devices (including the intrinsically safe type pressure switch, temperature switches, liquid level switches, etc.), voltage pulse, 3-wire PNP/NPN sensor output, incremental encoder.



Dimensions: 107.5mm×75.0mm×45mm



Connection



Explosion-proof Certificate

Certifying Authority: NEPSI(China)

Ex Marking: [Ex ia Ga] II C

Maximum Voltage: Um=250V

Intrinsic Safety Parameters(9、10 terminals):

U₀=10.5V, I₀=14mA, P₀=37mW

II C: C₀=2.4μF, L₀=165mH

II B: C₀=16.8μF, L₀=495mH

II A: C₀=75.0μF, L₀=1000mH

(11、12 terminals):

U₀=14V, I₀=8mA, P₀=28mW

II C: C₀=0.73μF, L₀=150mH

II B: C₀=4.60μF, L₀=450mH

II A: C₀=17.0μF, L₀=1000mH

(13、14 terminals):

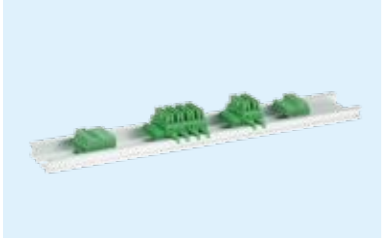
U₀=17V, I₀=330mA, P₀=1.4mW

II C: C₀=0.375μF, L₀=0.22mH

II B: C₀=2.20μF, L₀=0.66mH

II A: C₀=9.0μF, L₀=1.76mH

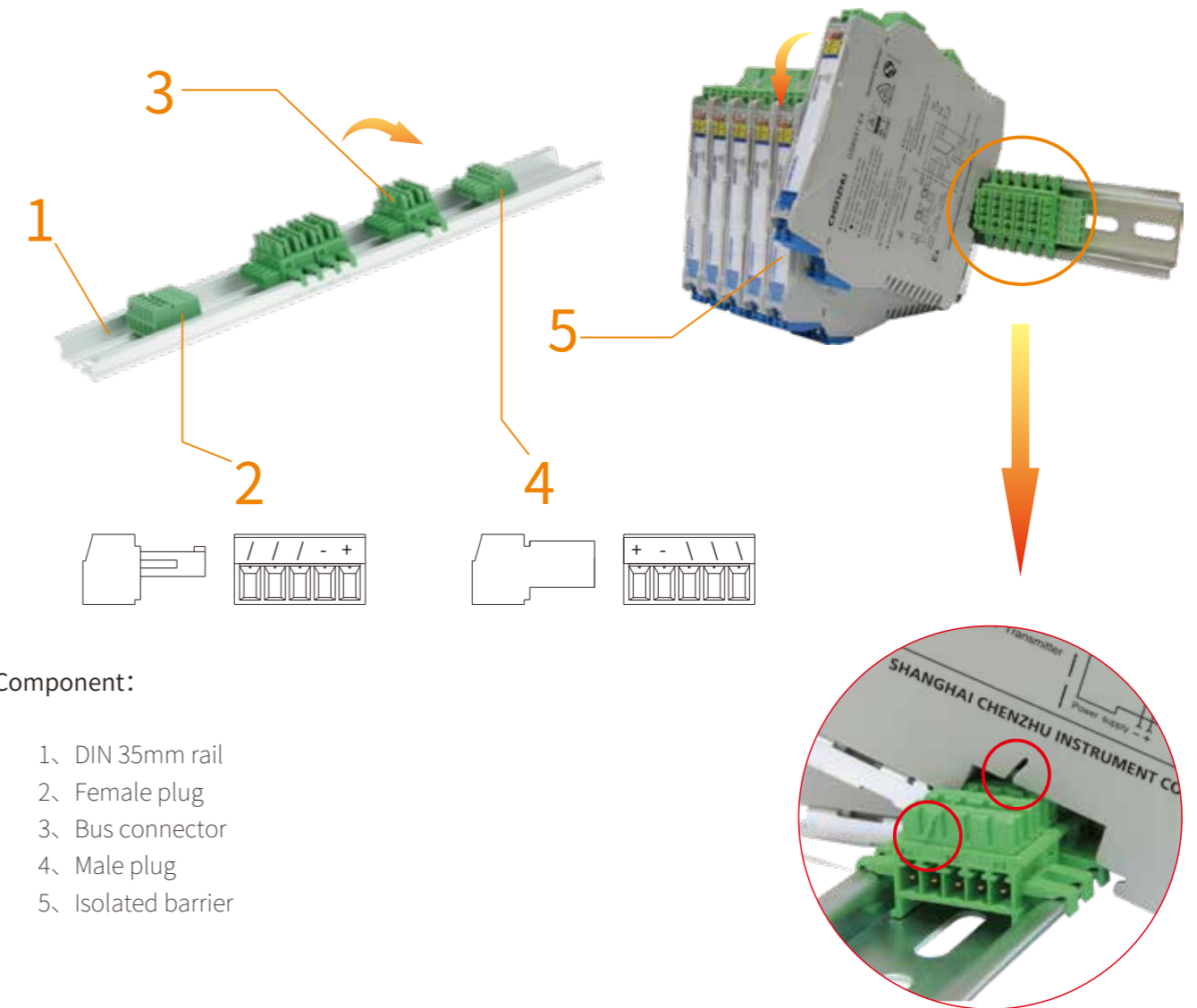
Bus Connector

	Suitable for 12.5mm Isolated Barrier	Suitable for 17.5mm Isolated Barrier
	Bus connector (CZBPS-C-12.5)	Bus connector (CZBPS-C-17.5)
Number of Positions	5	5
Pitch	3.81mm	3.81mm
Normal voltage Un	150V	150V
Normal current In	8A	8A
Rated Surge Voltage	2500V	2500V

Bus Connector Plug

	Suitable for GS8500-EX Range	
	Male plug (CZBPS-F1)	Female plug (CZBPS-B1)
Number of Positions	5	5
Pitch	3.81mm	3.81mm
Normal Voltage Un	160V	160V
Normal Current In	8A	8A
Rated Surge Voltage	2500V	2500V
Conductor Cross Section	0.14~1.5mm ²	0.14~1.5mm ²
Conductor Cross Section with Ferrules	0.25~1.5mm ² (without plastic sleeve) 0.25~0.5mm ² (with plastic sleeve)	0.25~1.5mm ² (without plastic sleeve) 0.25~0.5mm ² (with plastic sleeve)

Configuration Accessory



Component:

- 1、DIN 35mm rail
- 2、Female plug
- 3、Bus connector
- 4、Male plug
- 5、Isolated barrier

Instruction for Use:

1. Each isolated barrier is matched with a bus connector. The connectors can be spliced together. It is recommended to connect 8-16 connectors in a group.
2. A male plug and a female plug are required at the head and tail of each group of connectors.
3. The wire used in the bus power supply module has a length of about 8 mm for the ferrules or exposed wire. The exposed wires or ferrules should be fixed by M2 screws in the plug.
4. Bus connector has a pluggable error-proof function. Pay attention to the direction of the error-proof slot on the barrier housing when installing the isolated barrier to the bus connector.

